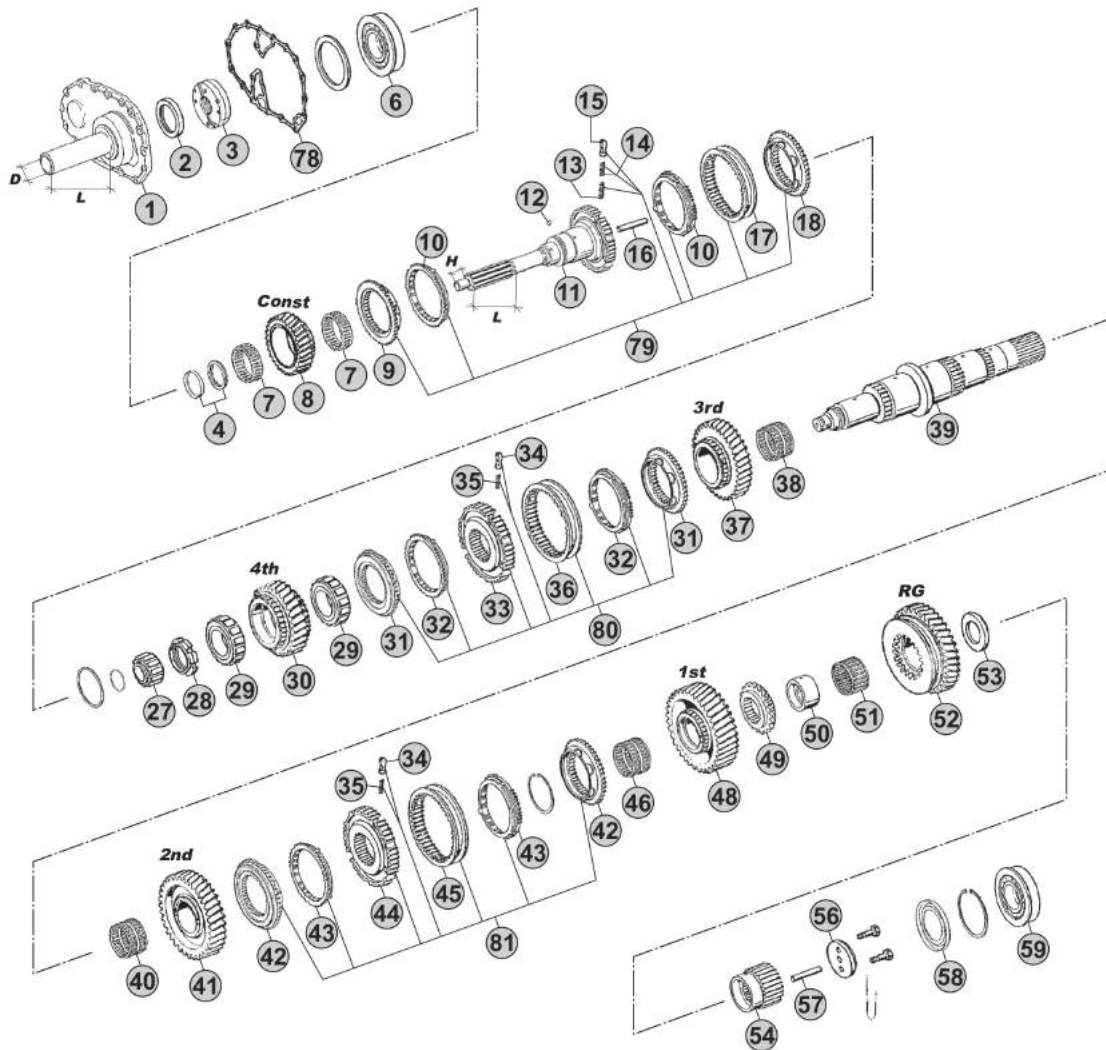


**MODELS:**

- ECOSPLIT I-II

**VERSIONS:**

- 16S112/1 (1296 xxx xxx)



**Springs & Slides Kits**

x 3	x 6	x 9
x 3	x 6	x 9
x 3	x 6	x 9
<b>Kit</b>	<b>Kit</b>	<b>Kit</b>
<b>70</b>	<b>71</b>	<b>72</b>

**Springs & Slides Kits**

x 3
x 3
<b>Kit</b>
<b>73</b>



**Gasket Kit**  
**75**

**Needle Bearing Kit**



**76**



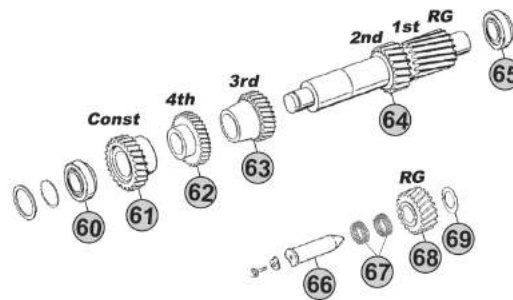
**O-Ring Kit**  
**82**



**Oil Seal Kit**  
**74**



**Bearing Kit**  
**77**



**Notes**

16S112/1 R. 13,68-1,00

Our spare parts are not the originals but interchangeable with the originals ones. All original equipment manufacturers' numbers, pictures and models used in this catalogue are for reference only. Our products bear our trade-mark.

Fig.	CEI no.	ZF no.	Description	Q.ty	Notes	16S112/1			
1	128.339	1297 302 011	Front Cover	1	L=147-D=57	●			
2	139.937	0750 111 002	Oil Seal 48x75x8	1		●			
3	<b>280.348</b>	1295 202 041	Oil Pump	1		●			
4	298.400	1499 298 003	Washers Kit Th. 4,00mm	1		●			
4	298.401	1499 298 002	Washers Kit Th. 3,90mm	1		●			
4	298.402	1499 298 001	Washers Kit Th. 3,80mm	1		●			
6	<b>130.305</b>	0750 118 131	Bearing 80x150x27,50	1		●			
7	137.139	0735 320 799	Needle Cage 88x96x23	2		●			
8	<b>145.447</b>	1296 302 003	Constant Gear 28 T	1		●			
9	<b>109.072</b>	1295 304 278	Synchronizer Cone	1		●			
10	<b>119.084</b>	1295 304 004	Synchronizer Ring	2	Old Type	●			
10	<b>119.175</b>	1304 304 686	Synchronizer Ring	2	New Type	●			
11	102.229	1296 202 006	Input Shaft	1		●			
12	171.084	0635 470 012	Needle D.7x7	1		●			
13	<b>156.037</b>	0732 040 385	Outer Spring De.6x34	3		●			
14	<b>156.036</b>	0732 040 386	Inner Spring De.3x34	3		●			
15	<b>160.116</b>	1240 304 278	Pressure Piece	3		●			
16	188.211	0730 062 323	Oil Plug	1		●			
17	<b>154.097</b>	1295 304 002	Sliding Sleeve	1		●			
18	<b>109.072</b>	1295 304 278	Synchronizer Cone	1		●			
27	137.081	0750 118 010	Roller Cage D.30x60x25,50	1		●			
28	187.412	0737 502 092	Grooved Nut M60x1,5	1		●			
29	137.155	0750 118 012	Roller Cage D.63x97,5x31,7	2		●			
30	<b>146.362</b>	1296 304 090	Gear 4th Speed 30 T	1		●			
31	<b>109.114</b>	1297 304 369	Synchronizer Cone	2		●			
32	<b>119.119</b>	1297 304 402	Synchronizer Ring	2	Old Type	●			
32	<b>119.167</b>	1297 304 484	Synchronizer Ring	2	New Type	●			
33	<b>157.140</b>	1297 304 446	Synchronizer Hub	1		●			
34	<b>160.189</b>	1297 304 436	Pressure Piece	3	2x3 pcs.	●			
35	<b>156.140</b>	0732 040 409	Spring De.6,5x23,50	3	2x3 pcs.	●			
36	<b>154.135</b>	1310 304 202	Sliding Sleeve	1		●			
37	<b>145.494</b>	1296 304 087	Gear 3rd Speed 34 T	1		●			
38	137.158	0735 320 460	Needle Cage D.82x90x46	1		●			
39	<b>103.131</b>	1296 304 119	Main Shaft	1		●			
40	137.407	0735 320 549	Needle Cage D.82x90x42	1		●			
41	<b>145.499</b>	1296 304 070	Gear 2nd Speed 38 T	1		●			
42	<b>109.113</b>	1297 304 371	Synchronizer cone	2		●			
43	<b>119.122</b>	1297 304 401	Synchronizer Ring	2	Old Type	●			
43	<b>119.166</b>	1297 304 485	Synchronizer Ring	2	New Type	●			
44	<b>157.139</b>	1297 304 445	Synchronizer Hub	1		●			
45	<b>154.136</b>	1297 304 450	Sliding Sleeve	1		●			
46	<b>137.159</b>	0735 320 548	Needle Cage 70x78x46	1		●			
48	<b>145.505</b>	1296 304 099	Gear 1st Speed 47 T	1		●			

 ECOSPLIT II  
16S112/1

Date

09/2014

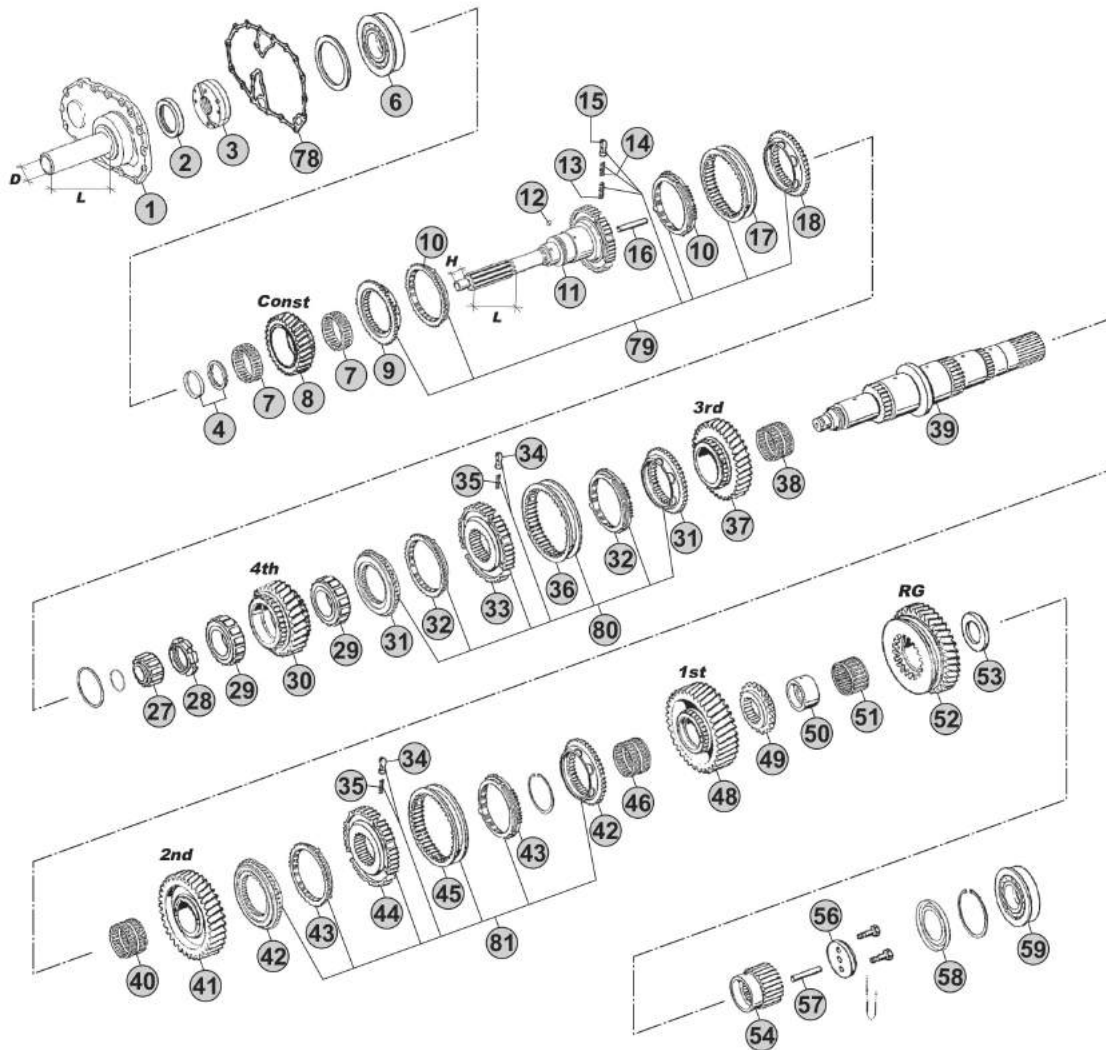
Notes

**MODELS:**

- ECOSPLIT I-II

**VERSIONS:**

- 16S112/1 (1296 xxx xxx)



**Springs & Slides Kits**

x 3	x 6	x 9
x 3	x 6	x 9
x 3	x 6	x 9
<b>Kit</b>	<b>Kit</b>	<b>Kit</b>
<b>70</b>	<b>71</b>	<b>72</b>

**Springs & Slides Kits**

x 3
x 3
<b>Kit</b>
<b>73</b>



**Gasket Kit**  
**75**

**Needle Bearing Kit**



**76**



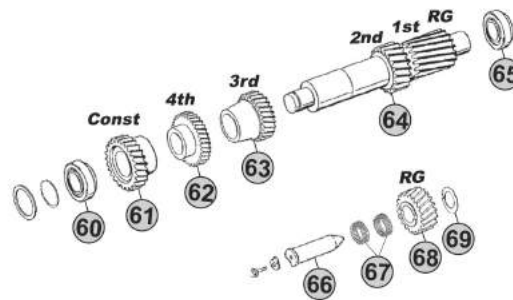
**O-Ring Kit**  
**82**



**Oil Seal Kit**  
**74**



**Bearing Kit**  
**77**



**Notes**

16S112/1 R. 13,68-1,00

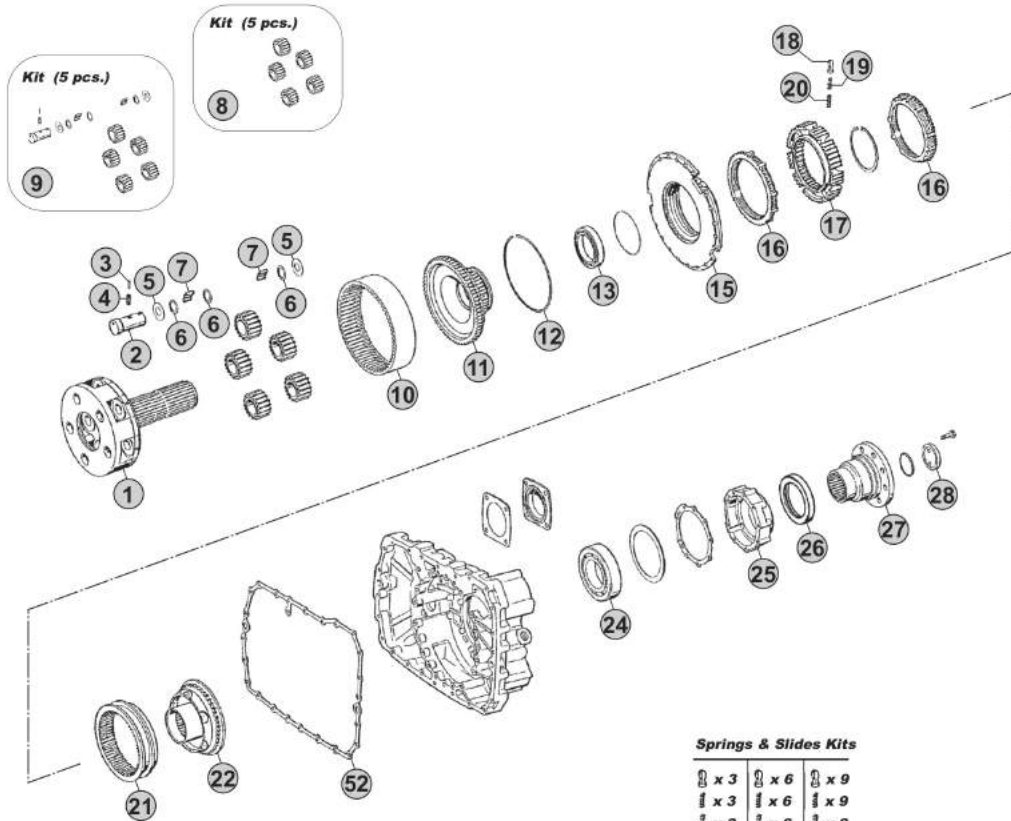


**MODELS:**

- ECOSPLIT I-II

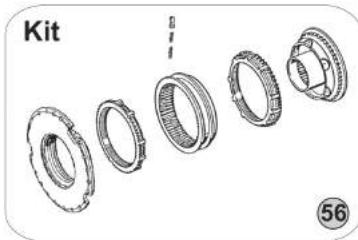
**VERSIONS:**

- 16S112/1 (1296 xxx xxx)

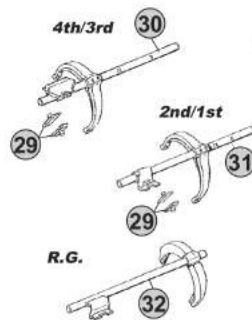


**Springs & Slides Kits**

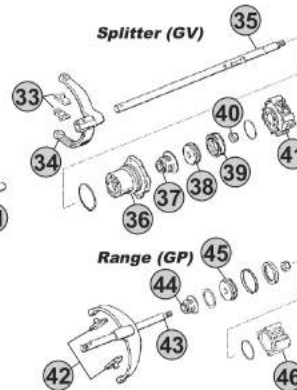
x 3	x 6	x 9
x 3	x 6	x 9
x 3	x 6	x 9
<b>Kit</b>	<b>Kit</b>	<b>Kit</b>
<b>47</b>	<b>48</b>	<b>49</b>



**Shifting Forks**



**Splitter (GV)**



**Notes**

16S112/1 R. 13,68-1,00

Our spare parts are not the originals but interchangeable with the originals ones. All original equipment manufacturers' numbers, pictures and models used in this catalogue are for reference only. Our products bear our trade-mark.

Our spare parts are not the originals but interchangeable with the originals ones. All original equipment manufacturers' numbers, pictures and models used in this catalogue are for reference only. Our products bear our trade-mark.

Fig.	CEI no.	ZF no.	Description	Q.ty	Notes	16S112/1				
1	190.169	1295 232 044	Planetary Carrier	1		●				
2	107.089	1269 332 036	Planetary Pin	5		●				
3	160.191	0631 329 017	Lock Pin 3x24	5		●				
4	160.192	0631 329 050	Lock Pin 5x24	5		●				
5	169.408	0501 305 887	Thrust Washer 29x57,5x1,5	10		●				
6	169.410	0730 103 846	Spacer Ring 29x39x1,00	15		●				
7	171.016	0735 470 057	Needle D.6x14,75 (180 pcs)	180		●				
8	198.357	1295 232 027	Planetary Gear Set (5 pcs)	1		●				
9	198.562	1296 298 904	Planetary Gear Set	1		●				
10	123.162	1295 332 053	Crown Gear 83 T	1		●				
11	150.112	1295 332 021	Carrier Hub 83 T	1		●				
12	111.129	0730 505 055	Locking Wire	1		●				
13	130.244	0750 116 166	Bearing 75x105x16	1		●				
15	198.358	1296 233 006	Synchro Cone	1		●				
16	119.085	1296 333 022	Synchronizer Ring	2	Old Type	●				
16	119.172	1296 333 045	Synchronizer Ring	2	New Type	●				
17	157.113	1296 333 002	Synchronizer Hub	1		●				
18	160.116	1240 304 278	Pressure Piece	9		●				
19	156.036	0732 040 386	Inner Spring De.3x34	9		●				
20	156.037	0732 040 385	Outer Spring De.6x34	9		●				
21	154.098	1296 333 023	Sliding Sleeve	1		●				
22	198.359	1295 233 025	Synchronizer Cone (36 Spl.)	1		●				
24	130.245	0750 116 394	Bearing 90x160x30	1		●				
25	128.260	1296 301 067	Cover	1		●				
25	128.098	1315 301 220	Cover	1		●				
26	139.878	0750 111 341	Oil Seal 105x130x12	1		●				
27	197.051	1295 338 014	Output Flange D.180 mm	1	D.180-10 H.	●				
28	188.077	1295 332 051	Stop Washer	1		●				
29	141.163	1297 306 120	Slide	2	2x2 pcs.	●				
30		1296 206 061	Fork	1		●				
31		1296 206 062	Fork	1		●				
32		1296 206 078	Fork	1		●				
33	141.068	1295 306 132	Bronze Slide	2		●				
34	141.086	1313 312 002	Shift Yoke	1		●				
35	149.277	1296 312 001	Selector Rod	1		●				
36	132.046	1296 312 042	Cylinder	1		●				
37	139.331	0750 112 034	Cap Collar 25x38x14,2	1		●				
38	189.421	1296 312 053	Piston	1		●				
39	139.912	0750 112 089	Ring 53x63x16,2	1		●				
40	287.091	0737 300 037	Nut	1		●				
41	132.084	0750 132 032	Cylinder	1		●				
41	280.350	0750 132 033	Cylinder	1		●				
42	141.085	1296 334 004	Bronze Slide	2		●				

ECOSPLIT H-II  
16S112/1

Date

09/2014

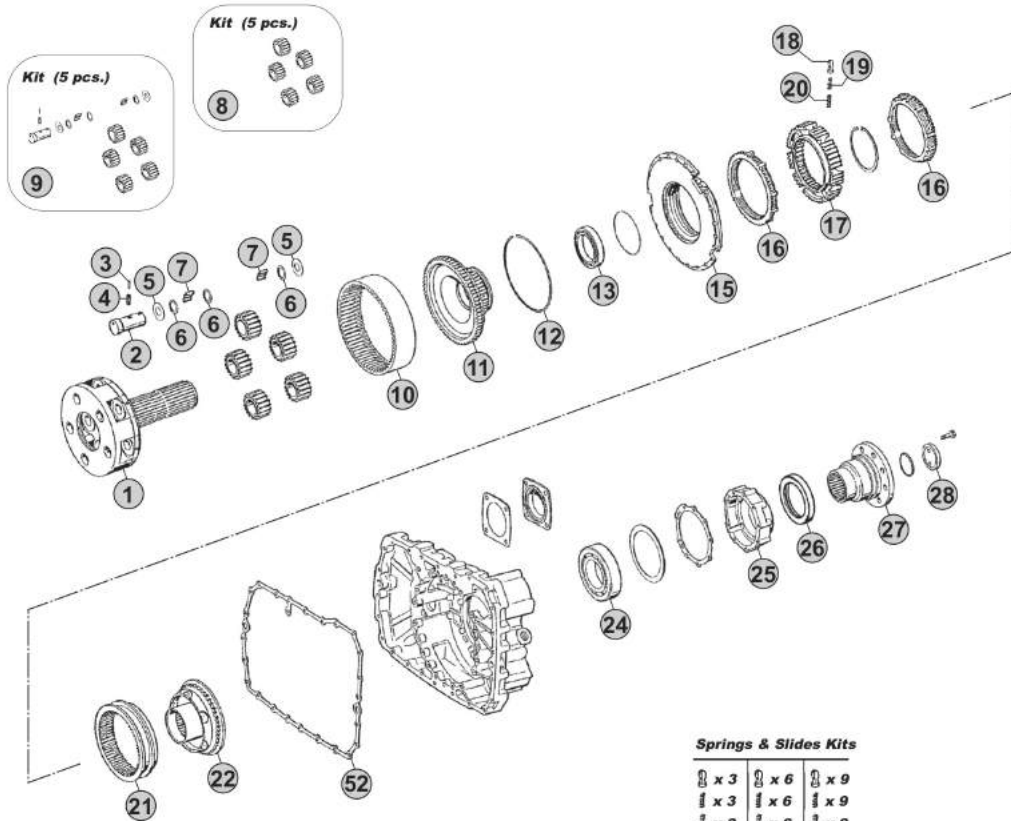
Notes

**MODELS:**

- ECOSPLIT I-II

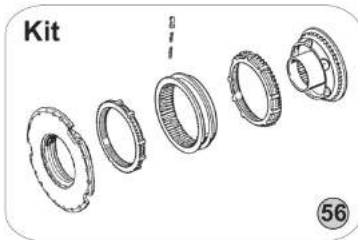
**VERSIONS:**

- 16S112/1 (1296 xxx xxx)

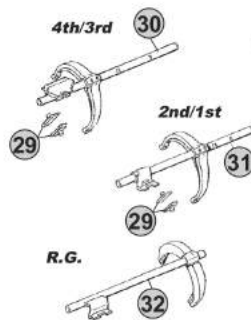


**Springs & Slides Kits**

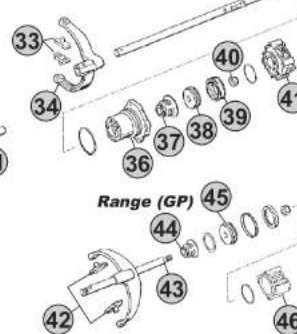
x 3	x 6	x 9
x 3	x 6	x 9
x 3	x 6	x 9
<b>Kit</b>	<b>Kit</b>	<b>Kit</b>
<b>47</b>	<b>48</b>	<b>49</b>



**Shifting Forks**



**Splitter (GV)**



**Notes**

16S112/1 R. 13,68-1,00

Our spare parts are not the originals but interchangeable with the originals ones. All original equipment manufacturers' numbers, pictures and models used in this catalogue are for reference only. Our products bear our trade-mark.

