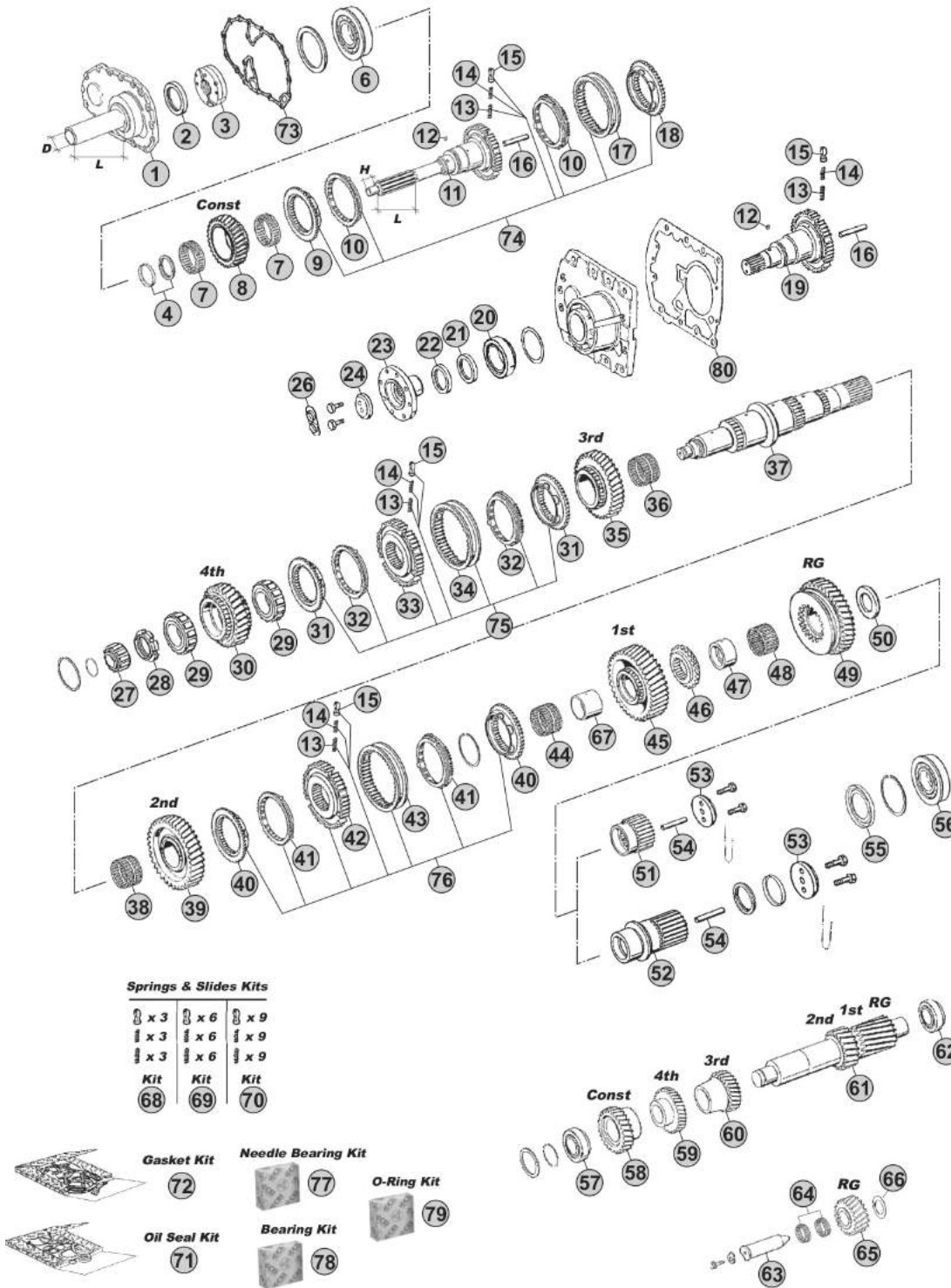


MODELS:

- ECOSPLIT I-II

VERSIONS:

- 16S190 (1297 xxx xxx)



Our spare parts are not the originals but interchangeable with the originals ones. All original equipment manufacturers' numbers, pictures and models used in this catalogue are for reference only. Our products bear our trade-mark.

Notes

- (B) R. 11,46-0,85
- (C) R. 13,68-1,00
- (D) R. 14,29-0,82
- (E) R. 17,06-1,00

Our spare parts are not the originals but interchangeable with the originals ones. All original equipment manufacturers' numbers, pictures and models used in this catalogue are for reference only. Our products bear our trade-mark.

Fig.	CEI no.	ZF no.	Description	Q.ty	Notes	165190				
1	135.201	1297 302 042	Front Cover	1	L=170 D=60	●				
1	128.338	1297 302 025	Front Cover	1		●				
1	128.350	1297 302 272	Front Cover	1		●				
2	139.937	0750 111 002	Oil Seal 48x75x8	1	(14)	●				
2	139.879	0734 310 387	Oil Seal 55x75x8	1		●				
3	280.348	1295 202 041	Oil Pump	1		●				
4	298.400	1499 298 003	Washers Kit Th. 4,00mm	1		●				
4	298.401	1499 298 002	Washers Kit Th. 3,90mm	1		●				
4	298.402	1499 298 001	Washers Kit Th. 3,80mm	1		●				
6	130.305	0750 118 131	Bearing 80x150x27,50	1		●				
7	137.153	0735 320 896	Needle Cage 88x96x29	2		●				
8	145.466	1297 302 177	Constant Gear 30 T	1	B	●				
8	145.406	1297 302 176	Constant Gear 28 T	1	C	●				
8	145.405	1297 302 250	Constant Gear 29 T	1	D	●				
8	145.407	1297 302 241	Constant Gear 26 T	1	E	●				
9	109.072	1295 304 278	Synchronizer Cone	1		●				
10	119.084	1295 304 004	Synchronizer Ring	2	Old Type	●				
10	119.175	1304 304 686	Synchronizer Ring	2	New Type	●				
11	102.223	1297 202 053	Input Shaft	1	L=125 H=30	●				
11	102.236	1297 202 009	Input Shaft	1	L=126 H=32	●				
11	102.235	1297 202 011	Input Shaft	1	L=118 H=32	●				
11	102.586	1297 202 061	Input Shaft	1		●				
11	102.541	1297 202 003	Input Shaft	1		●				
11	102.259	1297 202 063	Input shaft	1		●				
11	102.245	1297 202 004	Input Shaft	1		●				
11	102.540	1297 202 054	Input Shaft	1		●				
12	171.084	0635 470 012	Needle D.7x7	1		●				
13	156.037	0732 040 385	Outer Spring De.6x34	3	3x3 pcs.	●				
14	156.036	0732 040 386	Inner Spring De.3x34	3	3x3 pcs.	●				
15	160.116	1240 304 278	Pressure Piece	3	3x3 pcs.	●				
16	188.211	0730 062 323	Oil Plug	1		●				
17	154.097	1295 304 002	Sliding Sleeve	1		●				
18	109.072	1295 304 278	Synchronizer Cone	1		●				
19	102.237	1297 202 044	Input Shaft	1		●				
20	130.432	0750 117 418	Bearing	1		●				
21	139.974	0634 310 648	Oil Seal 70x90x10	1		●				
22	139.973	0734 300 140	Oil Seal 70x90x10	1		●				
23	155.135	1286 304 026	Drive Flange	1	D.150-8 H.	●				
23	197.261	1297 302 171	Drive Flange	1	D.150-8 H.	●				
24	188.078	1269 302 065	Stop Washer	1		●				
26	188.274	1269 302 164	Stop Washer	1		●				
27	137.113	0750 118 038	Roller Cage 35x68x27,50	1		●				
28	187.412	0737 502 092	Grooved Nut M60x1,5	1		●				

Date

09/2014

Notes

(14) For Input shaft 1297 202 004

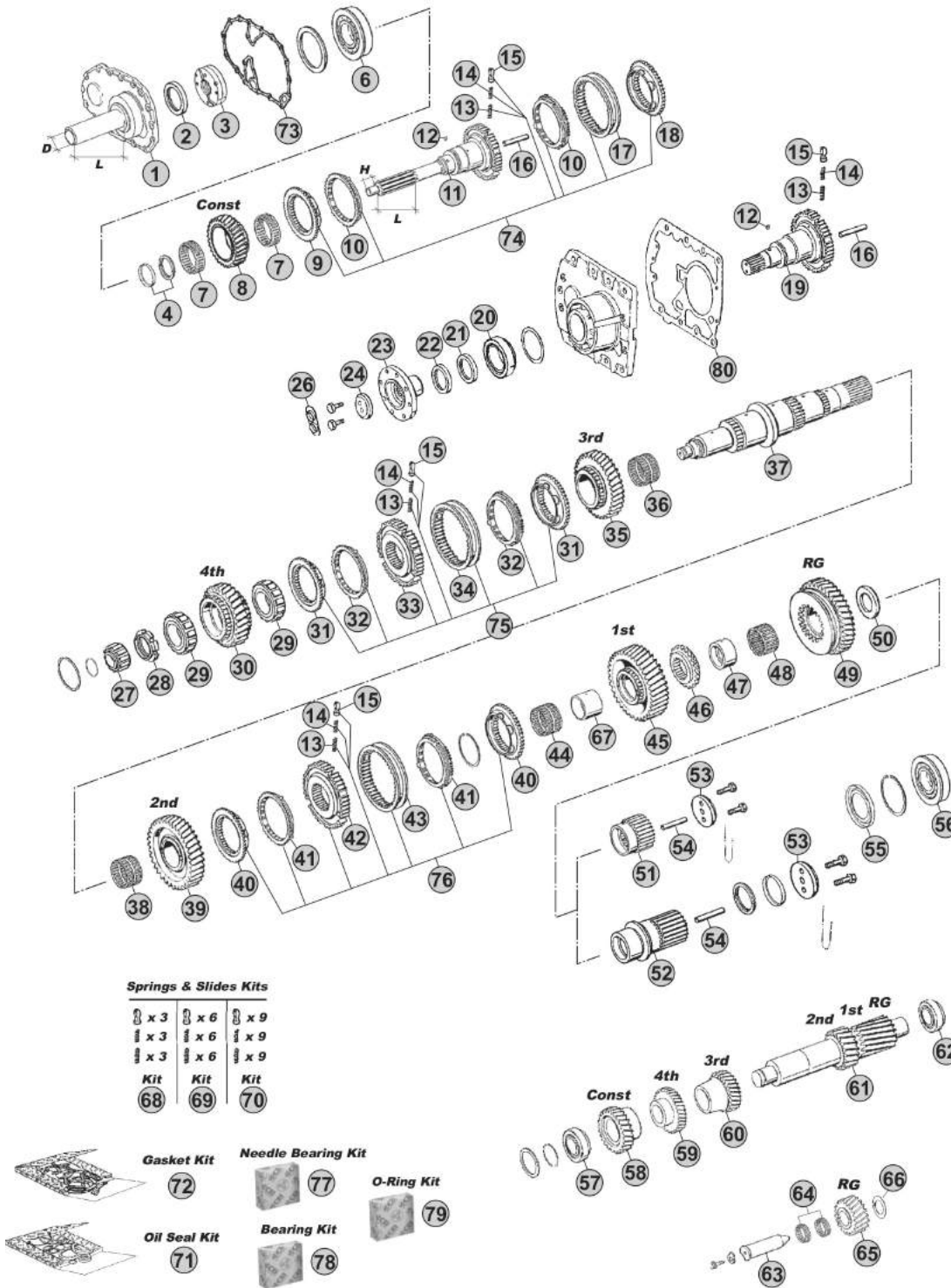
ECOSPLIT II
16S190

MODELS:

- ECOSPLIT I-II

VERSIONS:

- 16S190 (1297 xxx xxx)



Notes

- (B) R. 11,46-0,85
- (C) R. 13,68-1,00
- (D) R. 14,29-0,82
- (E) R. 17,06-1,00

Our spare parts are not the originals but interchangeable with the originals ones. All original equipment manufacturers' numbers, pictures and models used in this catalogue are for reference only. Our products bear our trade-mark.

Fig.	CEI no.	ZF no.	Description	Q.ty	Notes	165190				
29	137.157	0750 118 220	Roller Cage D.63x97,5x37,50	2		●				
30	146.384	1297 304 267	Gear 4th Speed 28 T	1	B	●				
30	146.318	1297 304 260	Gear 4th Speed 30 T	1	C	●				
30	146.315	1297 304 318	Gear 4th Speed 26 T	1	D	●				
30	146.294	1297 304 413	Gear 4th Speed 29 T	1	E	●				
31	109.072	1295 304 278	Synchronizer Cone	2		●				
32	119.084	1295 304 004	Synchronizer Ring	2	Old Type	●				
32	119.175	1304 304 686	Synchronizer Ring	2	New Type	●				
33	157.110	1297 304 031	Synchronizer Hub	1		●				
34	154.097	1295 304 002	Sliding Sleeve	1		●				
35	145.470	1297 304 266	Gear 3rd Speed 32 T	1	BD	●				
35	145.450	1297 304 261	Gear 3rd Speed 34 T	1	C	●				
35	145.377	1297 304 414	Gear 3rd Speed 34 T	1	E	●				
36	137.112	0735 320 451	Needle Cage 82x90x60	1		●				
37	103.132	1297 304 181	Main Shaft	1	BC	●				
37	103.098	1297 304 193	Main Shaft	1	DE	●				
38	137.109	0735 320 452	Needle Cage 82x90x55	1		●				
39	145.500	1297 304 269	Gear 2nd Speed 37 T	1	BD	●				
39	145.375	1297 304 442	Gear 2nd Speed 38 T	1	CE	●				
40	109.074	1297 304 196	Synchronizer Cone	2		●				
41	119.125	1296 304 135	Synchronizer Ring	2	Z 54 - Alt. use 119.086	●				
41	119.086	1246 304 278	Synchronizer Ring	2	Z 42 - Alt. use 119.125	●				
42	157.111	1297 304 195	Synchronizer Hub	1		●				
43	154.051	1257 304 020	Sliding Sleeve	1		●				
44	137.110	0735 320 487	Needle Cage 82x90x68	1		●				
45	145.507	1297 304 270	Gear 1st Speed 44 T	1	BD	●				
45	145.376	1297 304 441	Gear 1st Speed 47 T	1	CE	●				
46	109.178	1297 304 154	Synchronizer Cone	1		●				
47	117.318	1297 304 034	Bush	1	BC	●				
48	137.111	0735 320 486	Needle Cage 78x86x44	1		●				
49	147.109	1297 304 149	Reverse Gear 39 T	1	BD	●				
49	147.140	1297 304 148	Reverse Gear 38 T	1	CE	●				
50	169.757	1297 304 381	Thrust Washer	1	BC	●				
51	157.177	1297 304 187	Sun Gear 27 T	1	BC	●				
52	157.198	1297 304 439	Sun Gear 24 T	1	DE	●				
53	188.076	1272 304 021	Stop Washer	1		●				
54	189.671	0730 061 842	Oil Tube	1		●				
55	139.923	1297 301 004	Oil Collector	1		●				
56	130.702	0750 118 006	Bearing 65x140x33	1	BC	●				
56	130.703	0750 118 471	Bearing 80x140x33	1	DE	●				
57	130.242	0750 117 010	Bearing 50,80x100x35	1		●				
58	146.383	1297 303 074	Constant Gear 31 T	1	B	●				
58	146.322	1297 303 066	Constant Gear 34 T	1	C	●				

 ECOSPLIT I-II
16S190

Date

09/2014

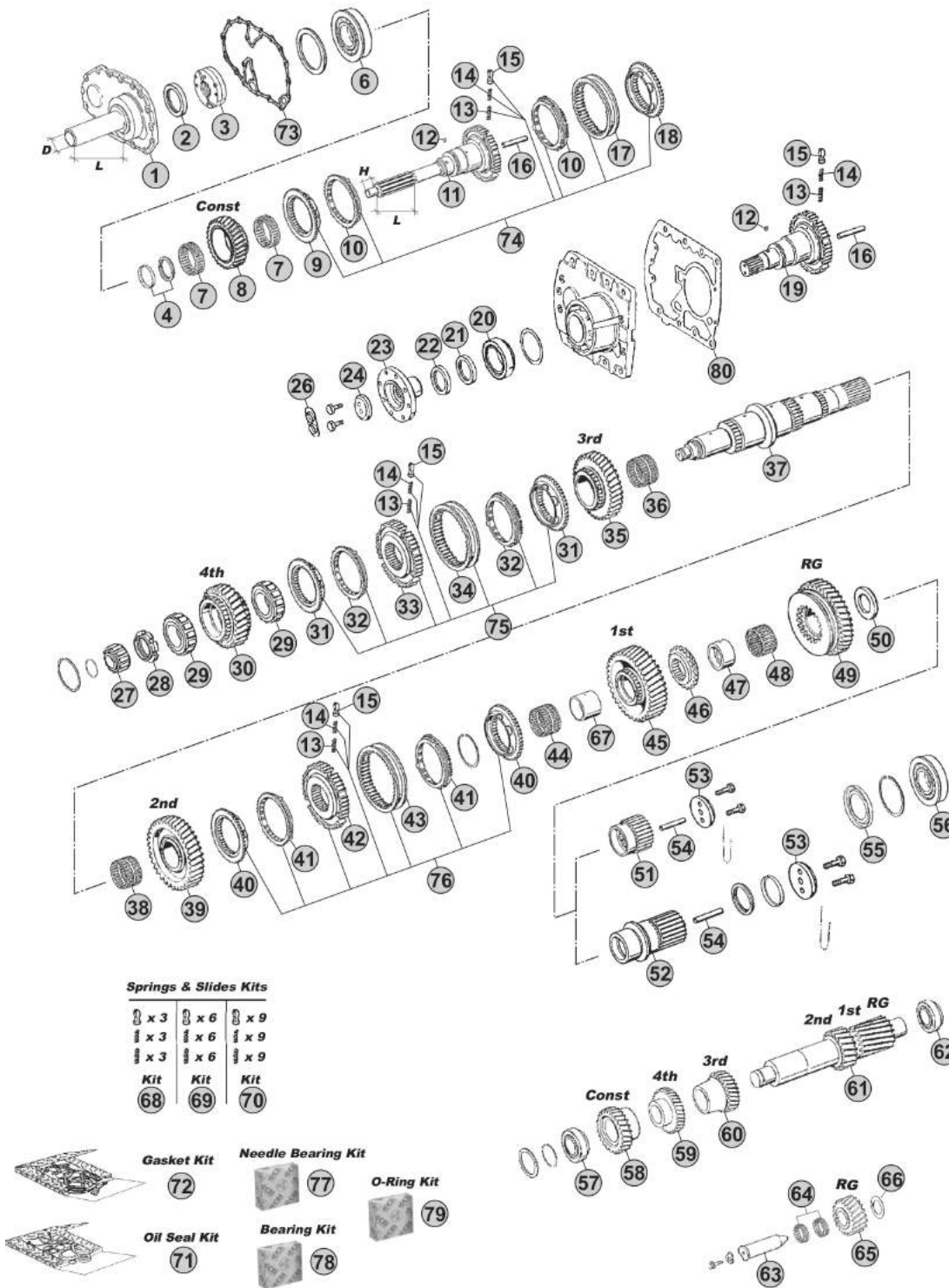
Notes

MODELS:

- ECOSPLIT I-II

VERSIONS:

- 16S190 (1297 xxx xxx)



Notes

- (B) R. 11,46-0,85
- (C) R. 13,68-1,00
- (D) R. 14,29-0,82
- (E) R. 17,06-1,00

Our spare parts are not the originals but interchangeable with the originals ones. All original equipment manufacturers' numbers, pictures and models used in this catalogue are for reference only. Our products bear our trade-mark.

Fig.	CEI no.	ZF no.	Description	Q.ty	Notes	165190				
58	146.319	1297 303 098	Constant Gear 32 T	1	D	●				
58	146.321	1297 303 086	Constant Gear 35 T	1	E	●				
59	146.382	1297 303 072	Gear 4th Speed 34 T	1	B	●				
59	146.381	1297 303 065	Gear 4th Speed 31 T	1	C	●				
59	146.415	1297 303 097	Gear 4th Speed 35 T	1	D	●				
59	146.416	1297 303 123	Gear 4th Speed 32 T	1	E	●				
60	146.357	1297 303 073	Gear 3rd Speed 28 T	1	BD	●				
60	146.421	1297 303 067	Gear 3rd Speed 25 T	1	C	●				
60	146.422	1297 303 132	Gear 3rd Speed 26 T	1	E	●				
61	105.092	1297 303 075	Countershaft 19/23 T	1	BD	●				
61	105.093	1297 303 140	Countershaft 17/20 T	1	CE	●				
62	130.308	0750 117 009	Bearing 49,2x103,1x43,6	1		●				
63	107.108	1295 305 056	Reverse Gear Pin	1		●				
64	137.007	0750 115 011	Needle Cage 45x53x21	2		●				
65	147.133	1295 305 051	Reverse Gear 21 T	1	BD	●				
65	147.094	1295 305 052	Reverse Gear 24 T	1	CE	●				
66	169.234	0730 150 064	Thrust Washer	1		●				
67	117.246	1297 304 035	Bush	1		●				
68	198.339	1268 298 938	Spring Slide kit	1		●				
69	198.564		Spring Slide kit	1		●				
70	198.842	1295 298 933	Spring Slide kit	1		●				
71	198.428	1295 298 960	Oil Seal Ring Kit	1		●				
72	198.427	1295 298 915	Gasket Kit	1		●				
73	139.686	1313 302 014	Gasket	1		●				
74	198.724	1295 298 936	Synchro Kit	1	W/"Old Type" synchro rings	●				
74	298.323	1297 298 962	Synchro Kit	1	W/"New Type" synchro rings	●				
75	198.807	1297 298 958	Synchron.Kit 3rd-4th Speed	1	W/"New Type" synchro rings	●				
76	198.809	1297 298 956	Synchron.kit 1st-2nd Speed	1		●				
77	298.425	1295 298 947	Needle Cages Kit	1		●				
78	298.426	1295 298 943	Bearing kit	1		●				
79	298.405	1295 298 916	O-Ring Kit	1		●				
80	239.004	1313 302 044	Gasket	1		●				

ECOSPLIT I-II
16S190

Date 09/2014 Notes

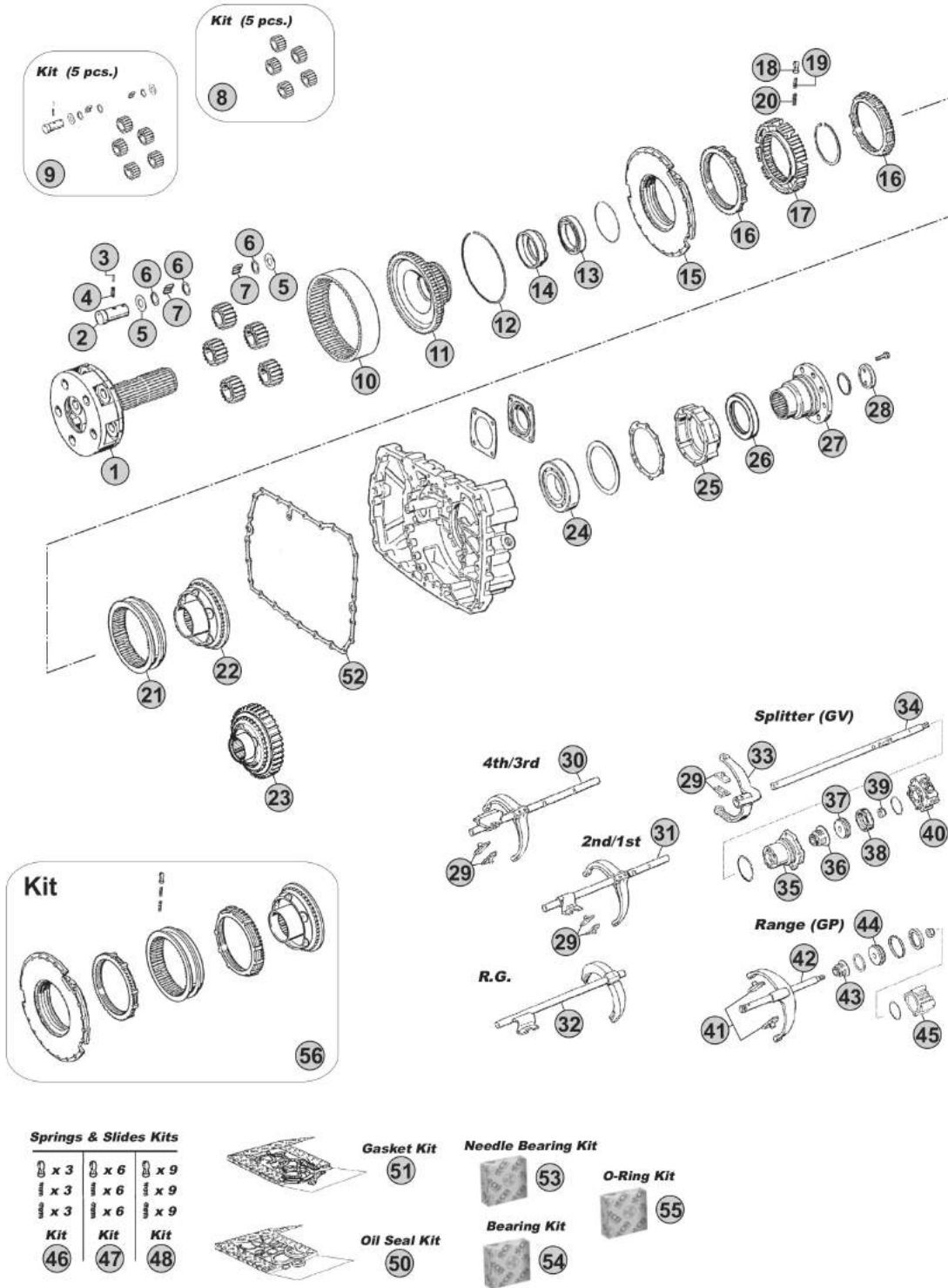


MODELS:

- ECOSPLIT I-II

VERSIONS:

- 16S190 (1297 xxx xxx)



Notes

- (B) R. 11,46-0,85
- (C) R. 13,68-1,00
- (D) R. 14,29-0,82
- (E) R. 17,06-1,00

Our spare parts are not the originals but interchangeable with the originals ones. All original equipment manufacturers' numbers, pictures and models used in this catalogue are for reference only. Our products bear our trade-mark.

Fig.	CEI no.	ZF no.	Description	Q.ty	Notes	165190				
1	190.396	1297 232 039	Planetary Carrier	1	BC	●				
1	190.395	1297 232 045	Planetary Carrier	1	DE	●				
1	190.556	1316 232 005	Planetary Carrier	1	(10) E	●				
2	107.163	1297 332 109	Planet pin	5		●				
2	107.165	1312 332 026	Planetary Pin	5	(10)	●				
3	160.191	0631 329 017	Lock Pin 3x24	5		●				
3	160.195	0631 329 167	Lock Pin 3x26	5	(10)	●				
4	160.192	0631 329 050	Lock Pin 5x24	5		●				
4	160.194	0631 329 051	Lock Pin 5x26	5	(10)	●				
5	169.753	0501 306 212	Thrust Washer 29x64x1,5	10		●				
5	169.759	0501 308 981	Thrust Washer	10	(10)	●				
6	169.410	0730 103 846	Spacer Ring 29x39x1,00	15		●				
6	169.744	0730 107 168	Spacer Ring	15	(10)	●				
7	171.045	0750 119 143	Needle 10x16,80 (120 pcs)	120		●				
7	171.062	0750 119 116	Needle 10x16,80 (140 pcs)	140	(10)	●				
8	198.803	1297 232 023	Planetary Gear Set (5 pcs)	1	BC	●				
8	198.810	1297 232 024	Planetary Gear Set (5 pcs)	1	DE	●				
8	198.801	1312 232 014	Planetary Gear Set (5 pcs)	1	(10) E	●				
9	198.704	1297 298 912	Planetary Gear Set (5 pcs)	1	BC	●				
9	298.807	1297 298 919	Planetary Gear Set	1	DE	●				
10	123.217	1297 332 080	Crown Gear 83 T	1	BC	●				
10	123.208	1295 332 086	Crown Gear 86 T	1	DE	●				
11	150.138	1297 332 017	Carrier Hub 83 T	1	BC	●				
11	150.137	1297 332 035	Carrier Hub 86 T	1	DE	●				
11	150.134	1297 332 120	Carrier Hub 86 T	1	(10) E	●				
12	111.129	0730 505 055	Locking Wire	1	BC	●				
12	111.198	0730 505 056	Locking Wire	1	DE	●				
13	130.310	0750 116 165	Bearing 80x110x16	1		●				
13	130.311	0635 338 035	Bearing 100x125x13	1	(10)	●				
14	119.255	1297 332 122	Intermediate Ring	1		●				
15	198.358	1296 233 006	Synchro Cone	1		●				
16	119.085	1296 333 022	Synchronizer Ring	2	Old Type	●				
16	119.172	1296 333 045	Synchronizer Ring	2	New Type	●				
17	157.113	1296 333 002	Synchronizer Hub	1		●				
17	157.183	1297 333 115	Synchronizer Hub	1	(10)	●				
18	160.116	1240 304 278	Pressure Piece	9		●				
19	156.036	0732 040 386	Inner Spring De.3x34	9		●				
20	156.037	0732 040 385	Outer Spring De.6x34	9		●				
21	154.098	1296 333 023	Sliding Sleeve	1		●				
22	198.374	1313 233 001	Synchronizer Cone (38 Spl.)	1		●				
22	198.790	1297 233 056	Synchronizer Cone (41 spl.)	1	(10)	●				
23	109.772	1297 333 118	Synchronizer Cone (38 Spl.)	1	With Retarder	●				
24	130.245	0750 116 394	Bearing 90x160x30	1		●				

 ECOSPLIT I-II
16S190

Date

09/2014

Notes

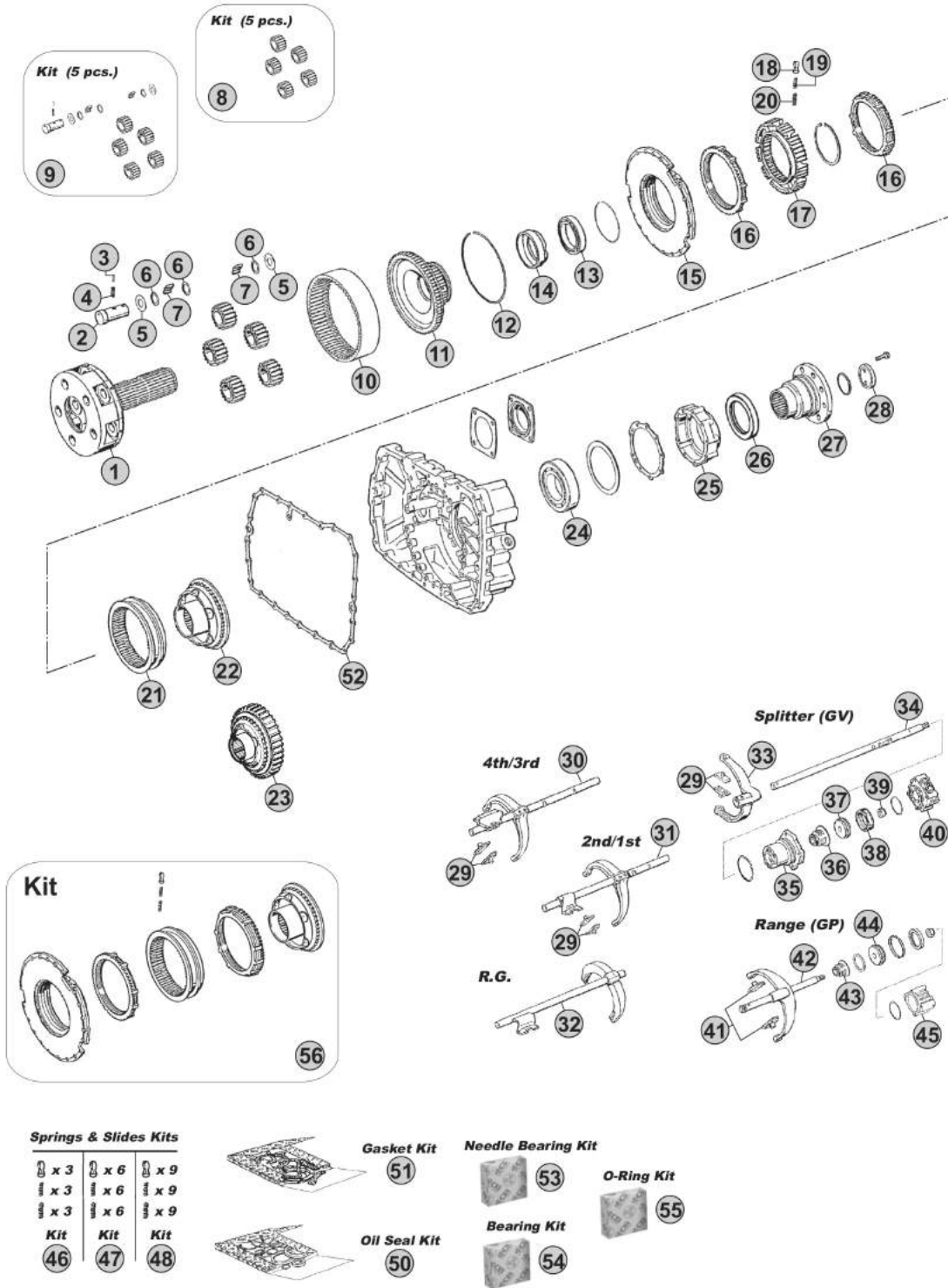
(10) New reinforced style. Use items marked (8) together

MODELS:

- ECOSPLIT I-II

VERSIONS:

- 16S190 (1297 xxx xxx)



Notes

- (B) R. 11,46-0,85
- (C) R. 13,68-1,00
- (D) R. 14,29-0,82
- (E) R. 17,06-1,00

Our spare parts are not the originals but interchangeable with the originals ones. All original equipment manufacturers' numbers, pictures and models used in this catalogue are for reference only. Our products bear our trade-mark.

Fig.	CEI no.	ZF no.	Description	Q.ty	Notes	165190				
25	128.260	1296 301 067	Cover	1		●				
25	128.098	1315 301 220	Cover	1	(10)	●				
26	139.878	0750 111 341	Oil Seal 105x130x12	1		●				
27	197.167	1297 338 041	Output Flange D.180 mm	1	D.180-4 H.	●				
27	197.163	1297 338 038	Output Flange D.180 mm	1	D.180-10 H.	●				
27	197.162	1297 338 010	Output Flange D.180 mm	1	D.180-10 H.	●				
27	197.254	1297 333 110	Output Flange D.180 mm	1	(10) D.180-4 H.	●				
28	188.077	1295 332 051	Stop Washer	1		●				
28	188.121	1312 332 028	Stop Washer	1	(10)	●				
29	141.068	1295 306 132	Bronze Slide	2	3x2 pcs.	●				
30	298.813	1297 206 103	Complete Fork	1		●				
30	298.814	1297 206 104	Complete Fork	1		●				
30		1297 206 192	Complete Fork	1		●				
31	298.819	1297 206 106	Complete Fork	1		●				
31	298.820	1297 206 105	Complete Fork	1		●				
31		1297 206 191	Complete Fork	1		●				
32	298.824	1297 206 174	Complete Fork	1		●				
32	298.825	1297 206 175	Complete Fork	1		●				
32		1297 206 181	Complete Fork	1		●				
33	141.086	1313 312 002	Shift Yoke	1		●				
34	149.268	1297 312 008	Selector Rod	1		●				
35	132.046	1296 312 042	Cylinder	1		●				
36	139.331	0750 112 034	Cap Collar 25x38x14,2	1		●				
37	189.421	1296 312 053	Piston	1		●				
38	139.912	0750 112 089	Ring 53x63x16,2	1		●				
39	287.091	0737 300 037	Nut	1		●				
40	132.084	0750 132 032	Cylinder	1		●				
40	280.350	0750 132 033	Cylinder	1		●				
41	141.085	1296 334 004	Bronze Slide	2		●				
42	149.171	1312 234 002	Fork	1		●				
43	139.331	0750 112 034	Cap Collar 25x38x14,2	1		●				
44	189.422	1296 334 039	Piston	1		●				
44	188.278	1297 334 056	Piston	1	(10)	●				
45	132.047	1295 334 075	Cylinder	1		●				
45	132.036	1297 334 055	Cylinder	1	(10)	●				
46	198.339	1268 298 938	Spring Slide kit	1		●				
47	198.564		Spring Slide kit	1		●				
48	198.842	1295 298 933	Spring Slide kit	1		●				
50	198.428	1295 298 960	Oil Seal Ring Kit	1		●				
51	198.427	1295 298 915	Gasket Kit	1		●				
52	139.685	1313 301 037	Gasket	1		●				
53	298.425	1295 298 947	Needle Cages Kit	1		●				
54	298.426	1295 298 943	Bearing kit	1		●				

Date

09/2014

Notes

(10) New reinforced style. Use items marked (8) together

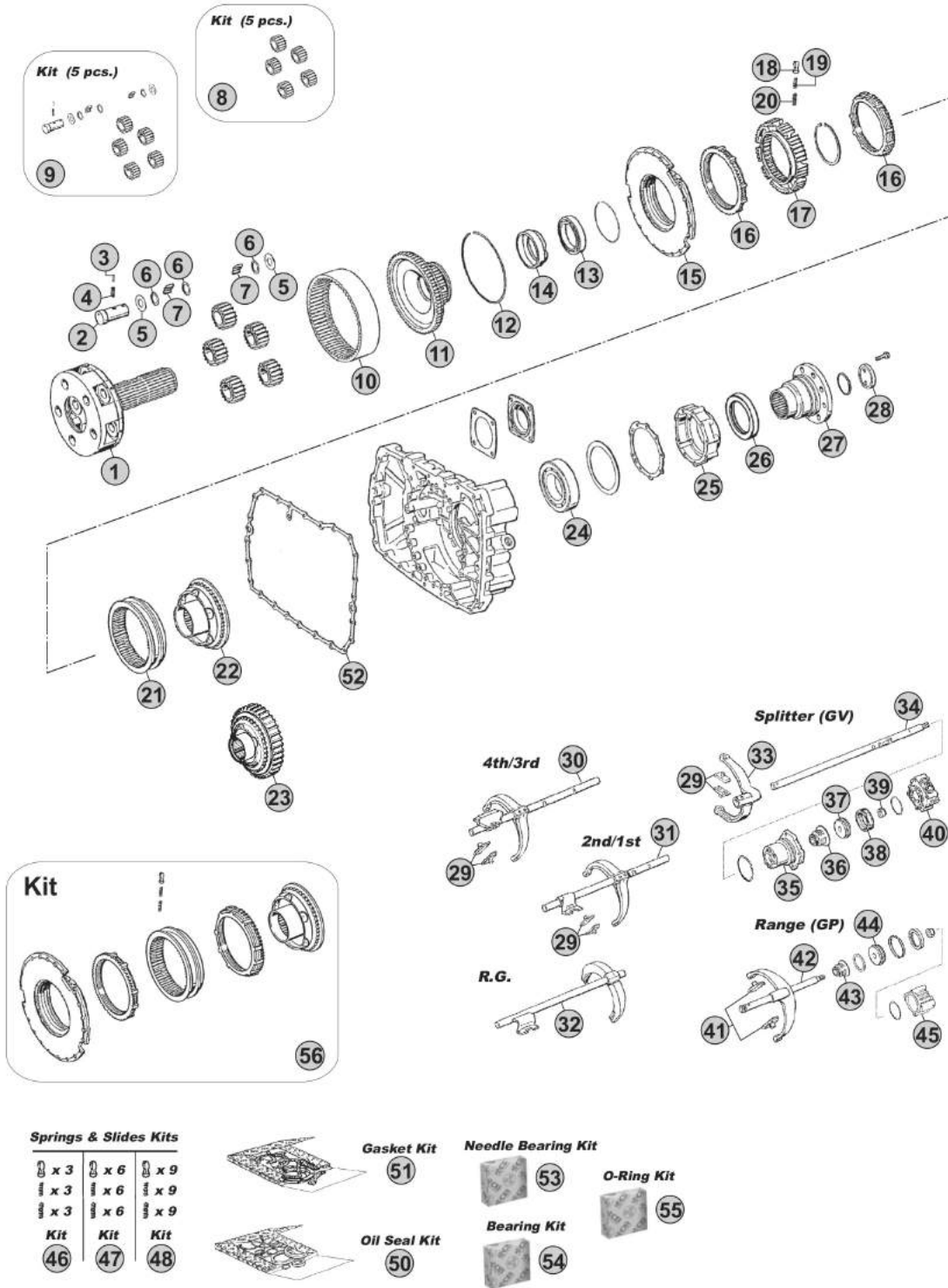
ECOSPLIT II
16S190

MODELS:

- ECOSPLIT I-II

VERSIONS:

- 16S190 (1297 xxx xxx)



Notes

- (B) R. 11,46-0,85
- (C) R. 13,68-1,00
- (D) R. 14,29-0,82
- (E) R. 17,06-1,00

Our spare parts are not the originals but interchangeable with the originals ones. All original equipment manufacturers' numbers, pictures and models used in this catalogue are for reference only. Our products bear our trade-mark.

Fig.	CEI no.	ZF no.	Description	Q.ty	Notes	16S190			
55	298.405	1295 298 916	O-Ring Kit	1					
56	198.748	1295 298 939	Synchronizer kit	1	W/"Old Type" synchro rings				
56	298.113		Repair kit	1	(10)				

ECOSPLIT H-II
16S190

Date 09/2014 Notes (10) New reinforced style. Use items marked (8) together

