

SCANIA

Truck and Bus

EUR

74

CATALOGUE
SCANIA

FILE

74CBM014.pdf

SIZE

0,70MB

No. PAGES

2

RELEASE

07/2006

MODELS

Updated
2006

EURORICAMBI manufactures replacement gears and bevel gears & pinions suitable to gearboxes and differentials of several marks of vehicles, such as: DAF, EATON, FULLER, FORD,

GROUP
Cylinders

Options

ONLY FOR CD-ROM CATALOGUES



Home



Group



Back

%

Zoom
Select



Print



Page
Search



Catalogue
Search



Exit

CYLINDER

Models: GR801 / GR801R
 GRS890 / GRS890R / GRS900 / GRSH900 / GRS900 Opt. / GRS900R / GRSH900R / GRS900R Opt.
 GR900 / GRH900 / GR900 Opt. / GR900R / GR900R.Opt.
 GRS920 / GRS920R
 GRSO900 / GRSO900R

Fig.	Our.No	Part No.	Description	Note TP
1	74530371	1488 083	VALVE	●
2	74530401	1321 420	CYLINDER	OLD
2		1484 808	CYLINDER	NEW
3	74530492	1474 732	O-RING	■
4		1303 960	PISTON	
5		1472 145	O-RING	
6		1472 142	O-RING	
7		1321 239	SUPPORT	
8	74530495	1472 144	O-RING	●
9		1303 799	BUSH	
10		1515 869	OIL SEAL	
11		1332 131	SHAFT	

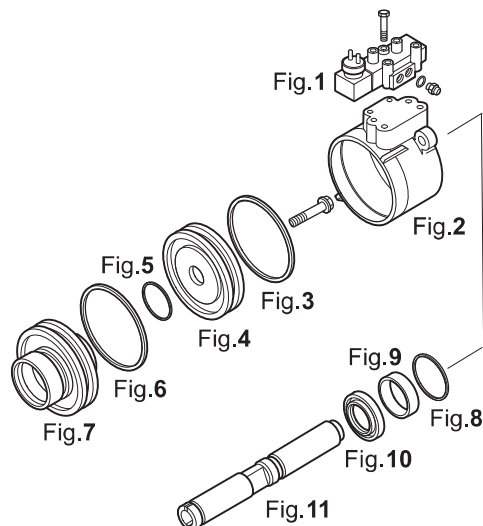


Fig.	Our.No	Part No.	Description	Note TP
1	74530402	1345 151	CYLINDER	OLD
1		1484 809	CYLINDER	NEW
2		1303 960	PISTON	
3	74530492	1474 732	O-RING	■
4		1321 239	SUPPORT	
5		1303 799	BUSH	
6	74530495	1472 144	O-RING	●
7		1332 131	SHAFT	
8		1472 145	O-RING	
9		1515 869	OIL SEAL	
10		1305 110	SLEEVE	
11		1472 142	O-RING	

