



Roadranger®

More time on the road®

Illustrated Parts List

RTLO-18918A-AS2
July 2011

Contents

| | |
|---|----|
| How To Use The Illustrated Parts List | 3 |
| AUXILIARY DRIVE GEAR..... | 4 |
| CASE (AUX) | 5 |
| CASE (FRONT) | 7 |
| CASE (FRONT) FORCED LUBE..... | 9 |
| CONTROLLER ECU & HARNESS..... | 12 |
| COUNTERSHAFT & BRGS(AUX)..... | 13 |
| COUNTERSHAFT ASSY | 14 |
| FILTER REGULATOR..... | 15 |
| GEAR DISPLAY MODULE..... | 16 |
| HEAT EXCHANGER | 17 |
| INPUT SHAFT & DRIVE GEAR | 18 |
| INTEGRAL OIL PUMP | 19 |
| KITS & ASSEMBLIES | 21 |
| MAINSHAFT & SYNCHRO(AUX)..... | 23 |
| MAINSHAFT ASSY | 24 |
| MISCELLANEOUS | 25 |
| OIL COOLER..... | 26 |
| OIL FILTER | 27 |
| OIL PUMP (FORCED LUBE) | 28 |
| RANGE CYLINDER..... | 30 |
| REVERSE IDLER..... | 31 |
| SHIFT BAR HOUSING | 32 |
| SHIFT CONTROLS | 34 |
| SPLITTER CYLINDER | 35 |
| X-Y SHIFTER MODULE..... | 36 |

How To Use The Illustrated Parts List

The information contained in this document is subject to frequent updates. Therefore, for the latest information available, please visit the interactive Electronic Parts Catalog at www.roadranger.com/epc.

Model Designation or Nomenclature

- For information regarding Model Designation and Nomenclature, visit www.roadranger.com.

Kits and Assemblies (K/A's)

- Kits and Assemblies contain groups of individual or assembled parts developed for optimal replacement or repair of a service problem.
- Kits and Assemblies are shown with applicable parts groupings in the parts listings.

Identifying Kits and Assemblies

A- Part numbers beginning with the letter 'A' are pre-assembled Production Assemblies

K- Part numbers beginning with the letter 'K' are kits that are not assembled

S- Part numbers beginning with the letter 'S' are pre-assembled Service Assemblies

- Note: Some Production Assemblies do not begin with a letter prefix (Midrange only).

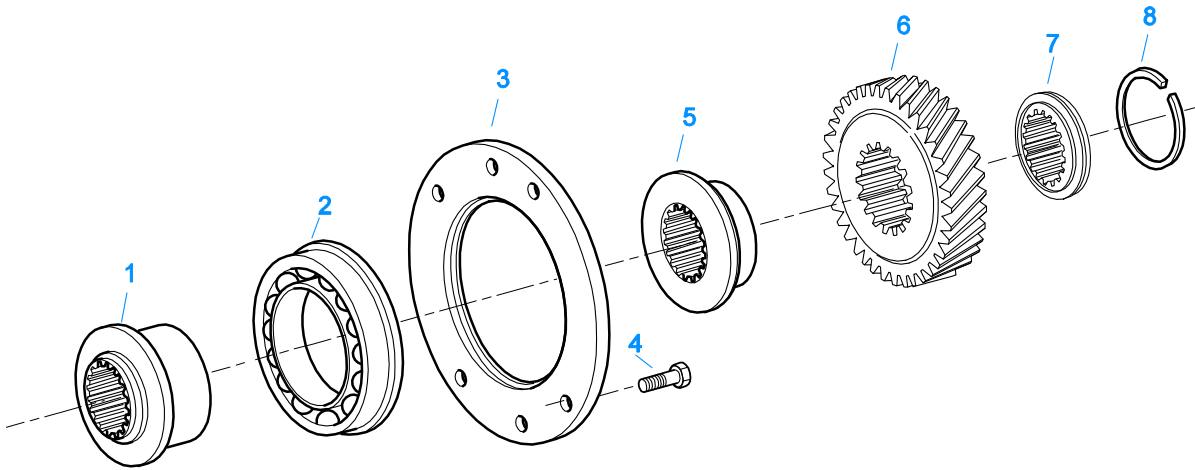
Illustrations

- Illustrations show parts in assembly groups.
- Item numbers on illustrations correspond with parts listings on pages adjacent to the illustration.
- Notes are included on illustrations where additional information is needed.

Parts Listing

Parts listings are defined by parts groupings and are broken down by service assemblies. Parts listings identify a part for servicing with the following categories

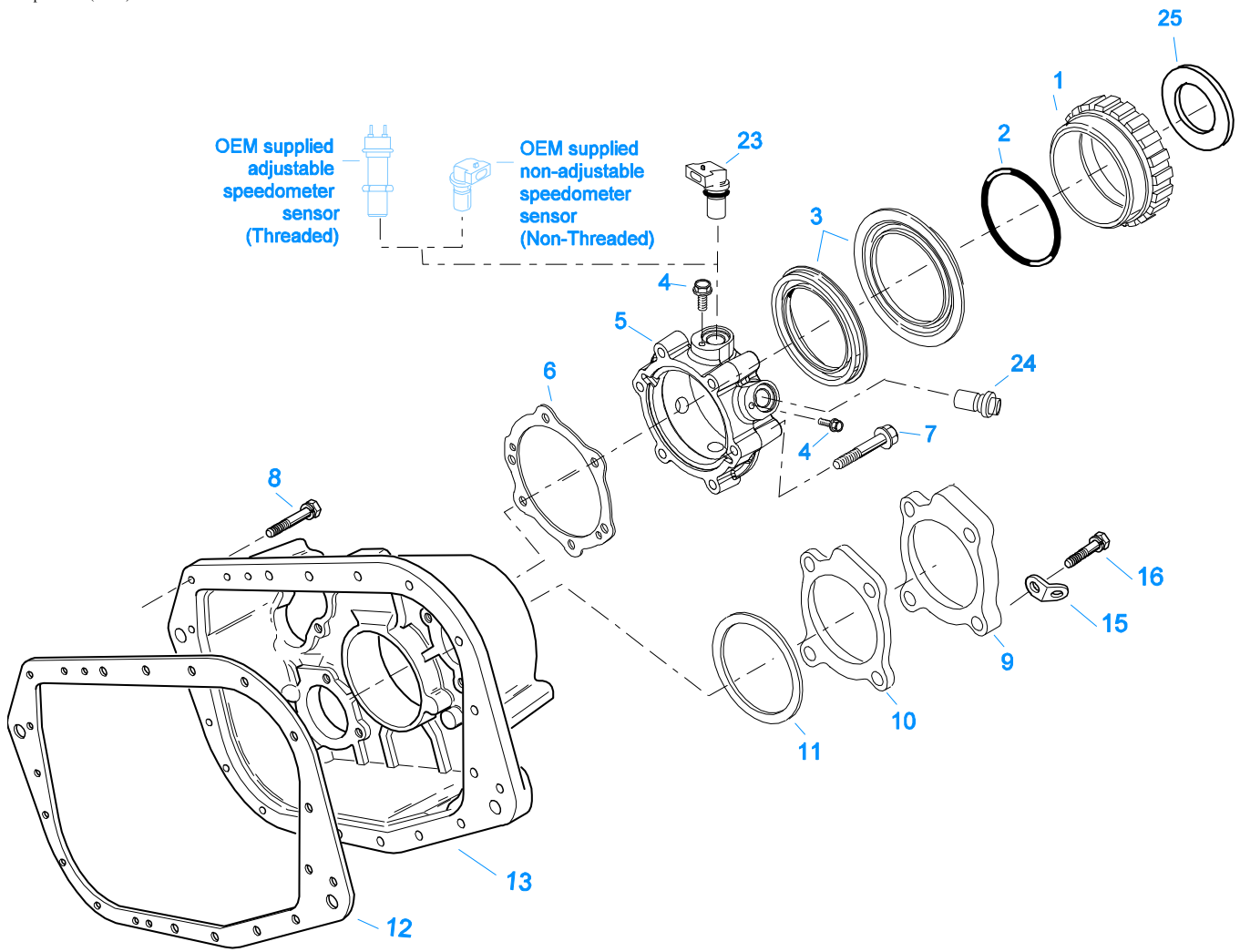
- **Item Number** - corresponding with numbers on illustrations for part identification.
- **Current Part** - identifies part as it is available for service.
- **Description** - specifies part name or description.
- **Replaced Part** - quantity quantity required for assembly.
- **Quantity** - defines unique characteristics or requirements.
- **Notes** - indicates Kits or Assemblies that contain a particular part.
- **Kits/Assy's Where Used**



10484-6-93

AUXILIARY DRIVE GEAR

| Item | Current Part | Description | Replaced Part | Qty. | Notes | Kits/Assys Where Needed |
|------|--------------|----------------------|---------------|------|----------------|-------------------------|
| 1 | 4304499 | SPACER | | 1 | | |
| 2 | 5566510-BOX | BEARING | 5566510 | 1 | | K-3512,K-3513 |
| 3 | 4304497 | RETAINER | | 1 | | |
| 4 | X-8-680 | CAPSCREW | | 6 | 3/8"-16X1-1/2" | |
| 5 | 4304500 | SPACER | | 1 | | |
| 6 | 4303825 | AUXILIARY DRIVE GEAR | | 1 | | |
| 7 | 4303185 | WASHER | 4300901 | 1 | | |
| 8 | 4301254 | SNAP RING | | 1 | | K-3511,K-3512,K-3513 |

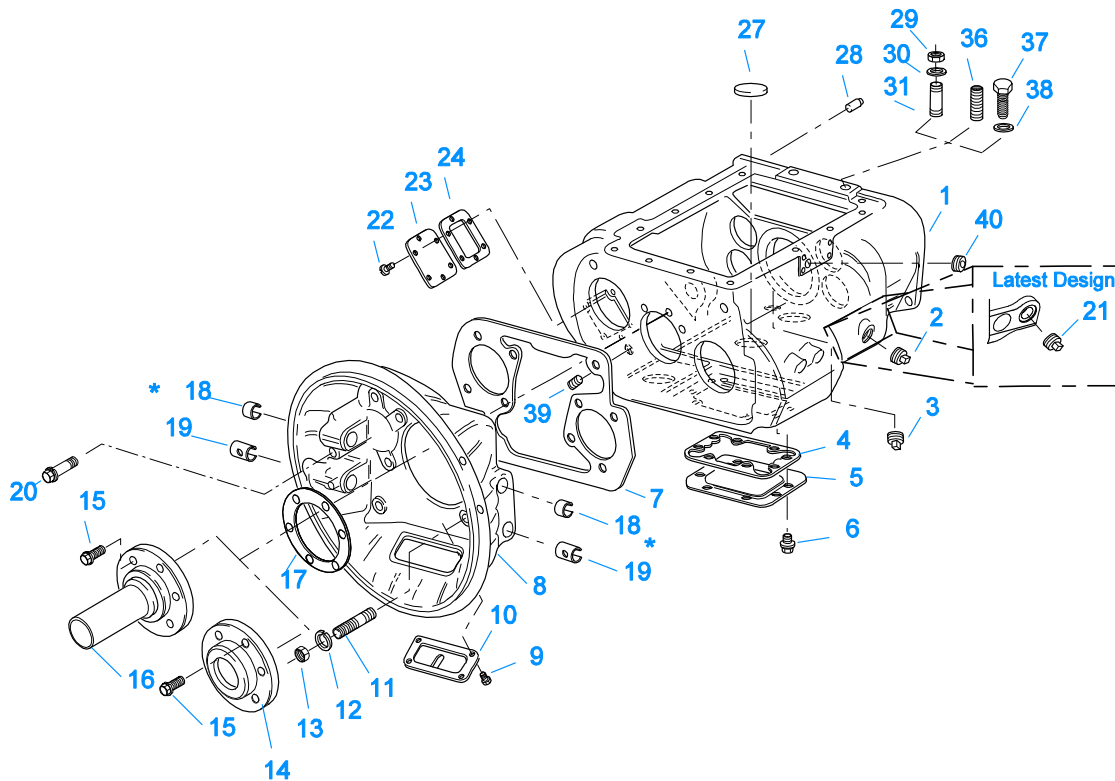


11406-08-01

CASE (AUX)

| Item | Current Part | Description | Replaced Part | Qty. | Notes | Kits/Assys Where Needed |
|------|--------------|-------------|---------------|------|-------|-------------------------|
|------|--------------|-------------|---------------|------|-------|-------------------------|

| Item | Current Part | Description | Replaced Part | Qty. | Notes | Kits/Assys Where Needed |
|------|--------------|-----------------------------|--------------------------|------|--|-----------------------------|
| 1 | S-2501 | SPEEDO ROTOR ASSY | 4302242 | 1 | MAGNETIC | |
| 2 | 5568511 | -O- RING | | 1 | | K-2918,S-2501,S-2913,S-2940 |
| 3 | K-2918 | OIL SEAL KIT | 4302322 4302323 | 1 | "FOR MAGNETIC COVER" | K-3512,K-3513 |
| 4 | X-8-0801M | CAPSCREW | | 3 | M8 X 1.25 X 12MM | |
| 5 | S-2913 | REAR BEARING COVER ASSY | 691637 ,4304651 ,4305833 | 1 | | |
| 6 | 1009551 | GASKET - RED EDGE MOLDED | | 1 | RED EDGE MOLDED GASKET - UNCOMPRESSED THICKNESS .043 - .051 - NOT INTERCHANGEABLE WITH ANY OTHER GASKET | K-2918,K-3509,S-2913 |
| 6 | 4302247 | GASKET - PURPLE EDGE MOLDED | | 1 | NON EDGE MOLDED GASKET - UNCOMPRESSED THICKNESS - .013 - .018 - NOT INTERCHANGABLE WITH ANY OTHER GASKET | K-2918,K-3509 |
| 7 | X-8L-611 | CAPSCREW | | 4 | 3/8"-16X3-1/4" | |
| 7 | X-8L-614 | CAPSCREW | | 2 | 3/8"-16X2" | |
| 8 | X-8L-602 | CAPSCREW | | 17 | 3/8"-16X1-1/2" | |
| 8 | X-8L-614 | CAPSCREW | | 2 | 3/8"-16X2" | |
| 9 | 4302320 | COVER | 21346 | 2 | | S-2940 |
| 10 | 4305978 | GASKET | 4302246 | 2 | | K-3509,S-2940 |
| 11 | K-2805 | SHIM KIT | 21452 K - 2106 | 1 | | K-3512,K-3513,S-2940 |
| 12 | 14335 | GASKET | | 1 | | K-3509,S-2940 |
| 13 | 4303586 | REAR HOUSING | | 1 | | |
| 15 | 20815 | LIFTING EYE | 17105 | 2 | | S-2940 |
| 16 | X-8L-604 | CAPSCREW | | 8 | 3/8"-16X1-1/4" | |
| 23 | K-3231 | SPEED SENSOR KIT | A - 6398 ,A - 6724 | 1 | SINGLE PICK-UP (2 PIN) | |
| 24 | K-3523 | SPEEDO PLUG KIT | 4302707 | 2 | | |
| 25 | 4304653 | SHIELD | | 1 | | S-2913 |



10305-12-93 Iron/Alum Hsg

* Bushing quantity requirements: #1 Housing – Upper bore use 4 #12815 / Lower bore use 2 #8677.

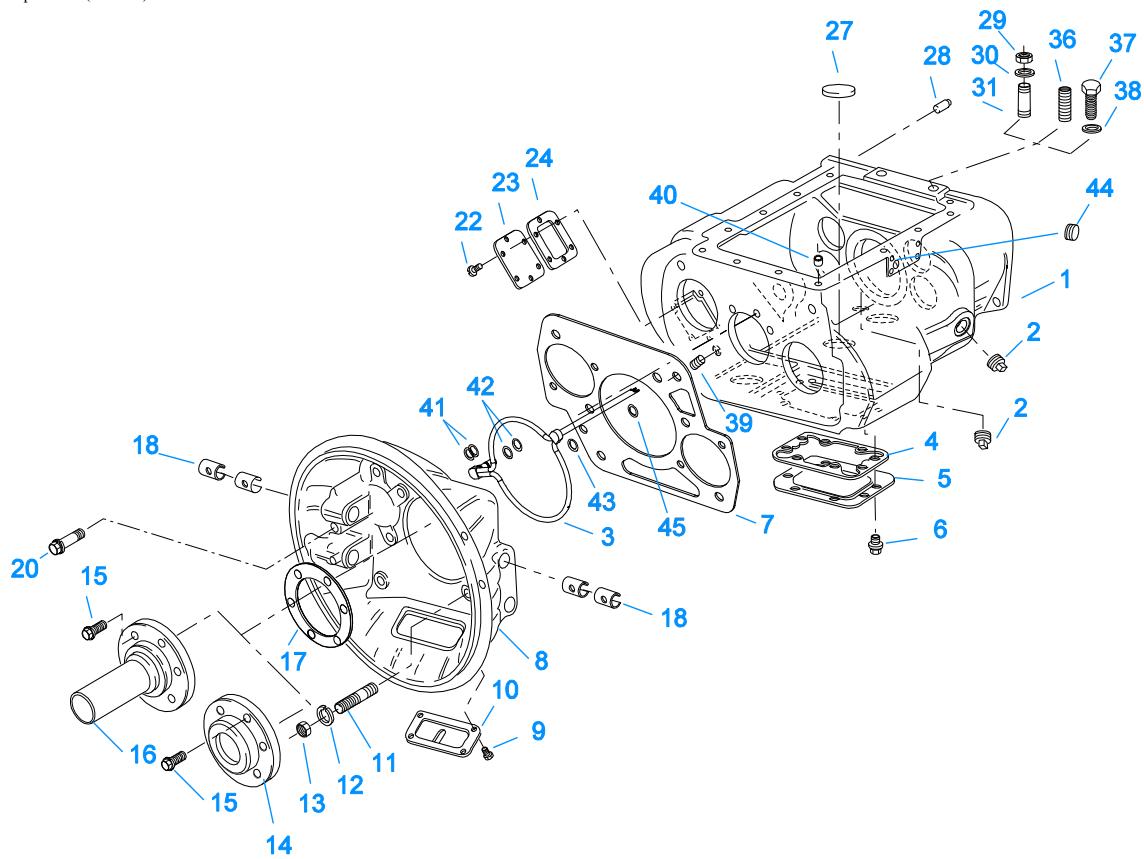
#2 Housing – Upper bore use 2 #12815 and 1 #8677 / Lower bore use 2 #8677.

Note: Some part requirements are specific to #1 or #2 Aluminum or Iron Clutch Housings and Push or Pull type Clutch.

CASE (FRONT)

| Item | Current Part | Description | Replaced Part | Qty. | Notes | Kits/Assys Where Needed |
|------|--------------|-----------------------|------------------------------|------|--|---|
| 1 | S-3019 | CASE ASSEMBLY | 691711 ,4305812 ,S - 2892 | 1 | | |
| 2 | X-12-2007 | PIPE PLUG | X12 2006 | 1 | | |
| 3 | X-12-1207 | PIPE PLUG | X12 1202 ,X12 1206 | 1 | 3/4" MAGNETIC | |
| 4 | 4305310 | GASKET | 4302810 | 1 | | K-3509 |
| 5 | 4302809 | PTO COVER | 16596 ,4300571 | 1 | | |
| 6 | X-8-725 | CAPSCREW | X 8 724 | 8 | 7/16"-14X7/8" | |
| 7 | 4306584 | CLUTCH HOUSING GASKET | 4304815,4305668 | 1 | | K-3509,K-3671,K-3672,K-3673,K-3676,K-3677 |
| 8 | A-3713 | CLUTCH HOUSING ASSY | A - 3700 | 1 | #1 PUSH-PULL IRON | |
| 8 | A-3723 | CLUTCH HOUSING ASSY | A - 3721 ,A - 3722 | 1 | #2 PUSH-PULL IRON | |
| 8 | A-4772 | CLUTCH HOUSING ASSY | A - 4344 ,A - 4771 | 1 | #2 PUSH-PULL ALUM. | |
| 8 | A-5992 | CLUTCH HOUSING ASSY | 4301103 | 1 | #1 PULL ALUM.(SPECIAL-LIGHTER WEIGHT) | |
| 9 | 239614 | SCREW | X-8L-509 | 4 | 5/16-18X.81 QUANTITY DEPENDENT ON DESIGN | |
| 10 | 14506 | HAND HOLE COVER | | 1 | #2 PUSH | |
| 10 | 14507 | HAND HOLE COVER | | 1 | #2 PULL | |
| 10 | 4305230 | HAND HOLE COVER | 11453 | 1 | #1 PULL | |
| 10 | 4305231 | HAND HOLE COVER | 1565 | 1 | #1 PUSH | |
| 11 | 4306583 | STUD | 5966 | 6 | | |
| 12 | X-10-1005 | WASHER | X 3 1000 ,X10 1000 ,X10 1004 | 6 | 1.23 X 6.60 | |
| 13 | X-1-1012 | HEX NUT | X-1-1005 | 6 | .625-18 | |
| 14 | 20550 | FRONT BEARING COVER | | 1 | 2" PULL | |
| 15 | X-8L-604 | CAPSCREW | | 6 | 3/8"-16X1-1/4" | |
| 16 | 20549 | FRONT BEARING COVER | | 1 | 2" PUSH | |
| 17 | 14311 | GASKET | | 1 | | K-3509 |
| 18 | 12815 | BUSHING | | 4 | FOR #1 HOUSING UPPER | A-3713,A-3723,A- |

| Item | Current Part | Description | Replaced Part | Qty. | Notes | Kits/Assys Where Needed |
|------|--------------|-------------------------------|---------------------------------|------|---|--------------------------------|
| 18 | 12815 | BUSHING | | 2 | FOR #2 HOUSING UPPER | 4772,A-5992 |
| 18 | 8677 | BUSHING | | 1 | FOR #2 HOUSING UPPER | A-3713,A-3723,A- |
| 19 | 8677 | BUSHING | | 2 | FOR #1 AND #2 HOUSING LOWER | 4772,A-5992 |
| 20 | X-8C-830 | HEX HEAD SCREW/WASHER ASSY | X-8C-826 | 4 | .500-13 X 1.490, USE 2 PCS FOR IRON HOUSING, USE 4 PCS FOR ALUMINUM HOUSING | A-3713,A-3723,A-4772 K-3677 |
| 20 | X-8C-831 | HEX HEAD SCREW/WASHER ASSY | X-8C-822 | 2 | .500-13 X 3.460, FOR IRON HOUSING | |
| 21 | 4304023 | PLUG | 4303747 | 1 | 1-1/16" MAGNETIC, O-RING INCLUDED | |
| 22 | X-8-686 | CAPSCREW | | 6 | 3/8"-16X3/4" | |
| 23 | 14575 | PTO COVER | 4302254 | 1 | | |
| 24 | 4305309 | GASKET | 1684 | 1 | | K-3509 |
| 27 | 14373 | MAGNET | | 3 | | S-3003,S-3019 |
| 28 | 18128 | PIN | | 2 | | |
| 29 | X-1-1012 | HEX NUT | | 2 | .625-18 | |
| 30 | X-10-1005 | WASHER | X 3 1000 ,X10 1000 ,X10 1004 | 2 | 1.23 X 6.60 | |
| 31 | 14554 | STUD | 1632 ,6579 | 2 | 5/8" X 2-3/16" | |
| 36 | 23104 | PLUG | 1712 | 2 | | |
| 37 | X-8-1005 | CAPSCREW | | 2 | 5/8"-11X1-1/4" | |
| 38 | 20814 | SPACER | | 2 | | |
| 39 | X-12-802 | PIPE PLUG | X12 800 | 1 | 1/2" | |
| 40 | X-12-1207 | PIPE PLUG | X12 1202 ,X12 1206 | 1 | 3/4" MAGNETIC | |

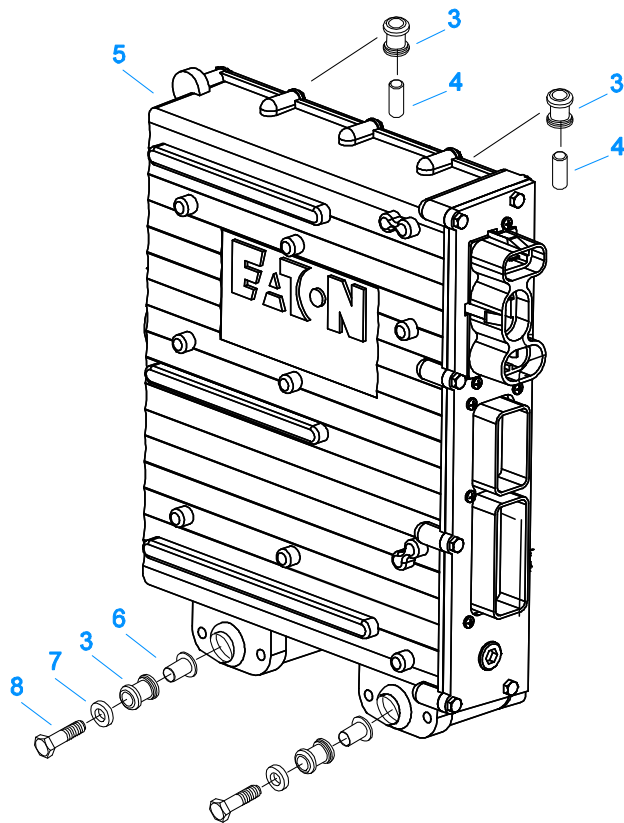
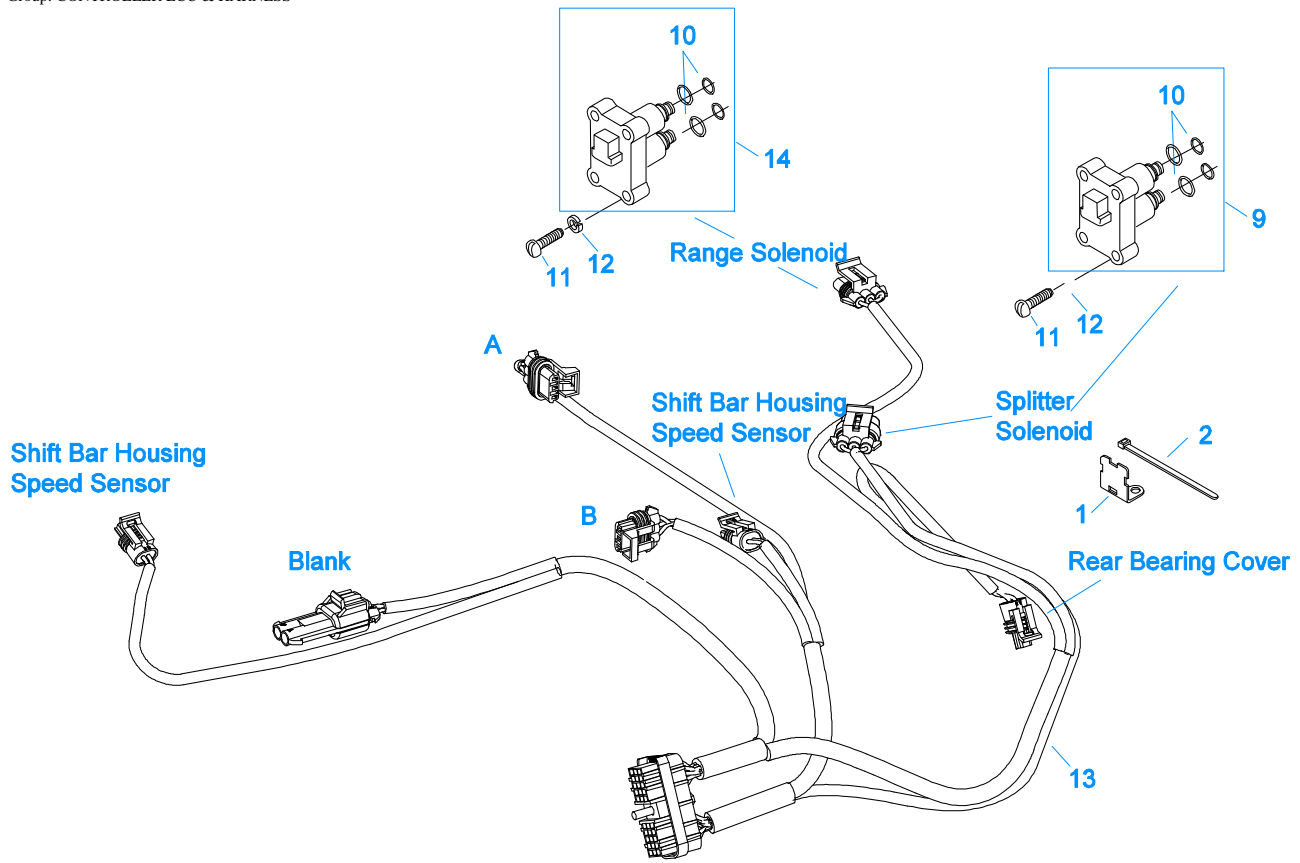


10319A-08-01

CASE (FRONT) FORCED LUBE

| Item | Current Part | Description | Replaced Part | Qty. | Notes | Kits/Assys Where Needed |
|------|--------------|-------------------------|------------------------------|------|--|---|
| 1 | S-3003 | CASE ASSEMBLY | 4305392 ,4305812 ,S - 2933 | 1 | | |
| 2 | 4304023 | PLUG | 4303747 | 2 | 1-1/16" MAGNETIC, O-RING INCLUDED | |
| 3 | A-7194 | LUBE TUBE ASSY | 4304921 ,A - 7141 | 1 | CAN BE USED W/4305392 OR 691896 CASE | |
| 3 | A-7471 | EXTENDED LUBE TUBE ASSY | 4305393 | 1 | CAN ONLY BE USED W/4305392 CASE | |
| 4 | 4305310 | GASKET | 4302810 | 1 | | K-3509 |
| 5 | 4302809 | PTO COVER | 16596 ,4300571 | 1 | | |
| 6 | X-8-725 | CAPSCREW | X 8 724 | 8 | 7/16"-14X7/8" | |
| 7 | 4306584 | CLUTCH HOUSING GASKET | 4304815,4305668 | 1 | | K-3509,K-3671,K-3672,K-3673,K-3676,K-3677 |
| 8 | K-3671 | FORCED LUBE CL HSG KIT | A - 7148 | 1 | #1 PULL IRON | |
| 8 | K-3672 | FORCED LUBE CL HSG KIT | A - 7149 ,A - 7150 | 1 | #1 PULL IRON - NODAL MOUNT - UPPER/LOWER | |
| 8 | K-3673 | FORCED LUBE CL HSG KIT | A - 7146 | 1 | #1 PULL ALUMINUM - NODAL MOUNT | |
| 8 | K-3676 | FORCED LUBE CL HSG KIT | A - 7145 | 1 | #1 PULL ALUMINUM | |
| 8 | K-3677 | FORCED LUBE CL HSG KIT | A-7592 | 1 | #1 PULL IRON - NODAL MOUNT - UPPER | |
| 9 | 239614 | SCREW | X-8L-509 | 4 | 5/16-18X.81 QUANTITY DEPENDENT ON DESIGN | |
| 10 | 4305230 | HAND HOLE COVER | 11453 | 1 | #1 PULL | |
| 10 | 4305231 | HAND HOLE COVER | 1565 | 1 | #1 PUSH | |
| 11 | 4306583 | STUD | 5966 | 6 | | |
| 12 | X-10-1005 | WASHER | X 3 1000 ,X10 1000 ,X10 1004 | 6 | 1.23 X 6.60 | |
| 13 | X-1-1012 | HEX NUT | X-1-1005 | 6 | .625-18 | |

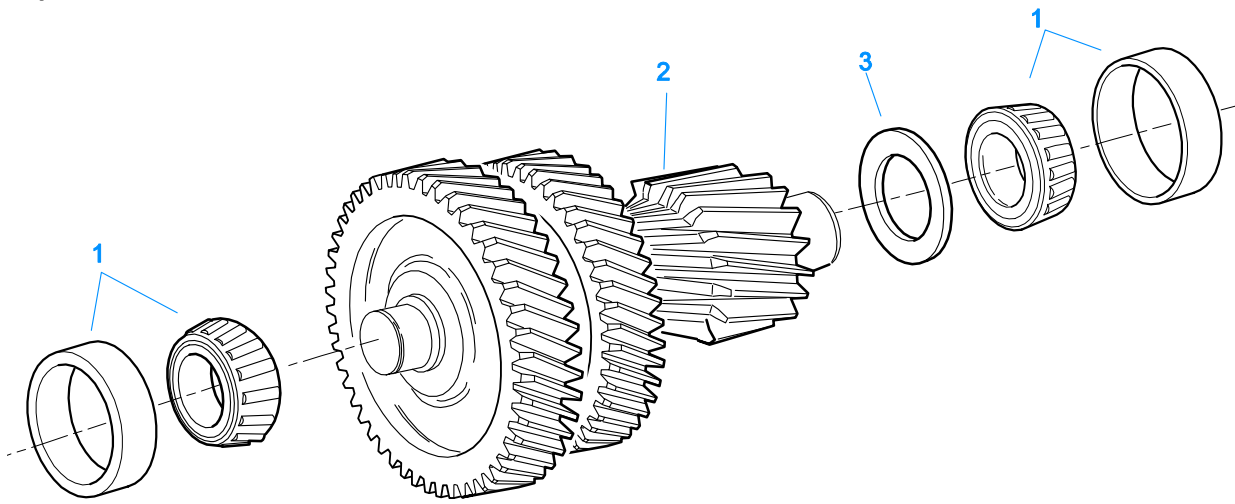
| Item | Current Part | Description | Replaced Part | Qty. | Notes | Kits/Assys Where Needed |
|------|--------------|----------------------------|---------------------------------|------|---|-----------------------------|
| 14 | 20550 | FRONT BEARING COVER | | 1 | 2" PULL | |
| 15 | X-8L-604 | CAPSCREW | | 6 | 3/8"-16X1-1/4" | |
| 16 | 20549 | FRONT BEARING COVER | | 1 | 2" PUSH | |
| 17 | 14311 | GASKET | | 1 | | K-3509 |
| 18 | 12815 | BUSHING | | 4 | | A-3713,A-3723,A-4772,A-5992 |
| 20 | X-8C-830 | HEX HEAD SCREW/WASHER ASSY | X-8C-826 | 4 | .500-13 X 1.490, USE 2 PCS FOR IRON HOUSING, USE 4 PCS FOR ALUMINUM HOUSING | K-3677 |
| 20 | X-8C-831 | HEX HEAD SCREW/WASHER ASSY | X-8C-822 | 2 | .500-13 X 3.460, FOR IRON HOUSING | |
| 22 | X-8-686 | CAPSCREW | | 6 | 3/8"-16X3/4" | |
| 23 | 14575 | PTO COVER | 4302254 | 1 | | |
| 24 | 4305309 | GASKET | 1684 | 1 | | K-3509 |
| 27 | 14373 | MAGNET | | 3 | | S-3003,S-3019 |
| 28 | 18128 | PIN | | 2 | | |
| 29 | X-1-1012 | HEX NUT | | 2 | .625-18 | |
| 30 | X-10-1005 | WASHER | X 3 1000 ,X10 1000 ,X10 1004 | 2 | 1.23 X 6.60 | |
| 31 | 14554 | STUD | 1632 ,6579 | 2 | 5/8" X 2-3/16" | |
| 36 | 23104 | PLUG | 1712 | 2 | | |
| 37 | X-8-1005 | CAPSCREW | | 2 | 5/8"-11X1-1/4" | |
| 38 | 20814 | SPACER | | 2 | | |
| 39 | X-12-802 | PIPE PLUG | X12 800 | 1 | 1/2" | |
| 40 | 691447 | PIN | | 1 | | S-3003 |
| 41 | 13835 | -O- RING | | 2 | | |
| 42 | 13653 | -O- RING | | 2 | | K-2803,K-2908,K-3510 |
| 43 | 5568544 | -O- RING | | 1 | | |
| 44 | X-12-1207 | PIPE PLUG | X12 1202 ,X12 1206 | 1 | 3/4" MAGNETIC | |
| 45 | 13834 | -O- RING | | 1 | | |



20319A-08-01

CONTROLLER ECU & HARNESS

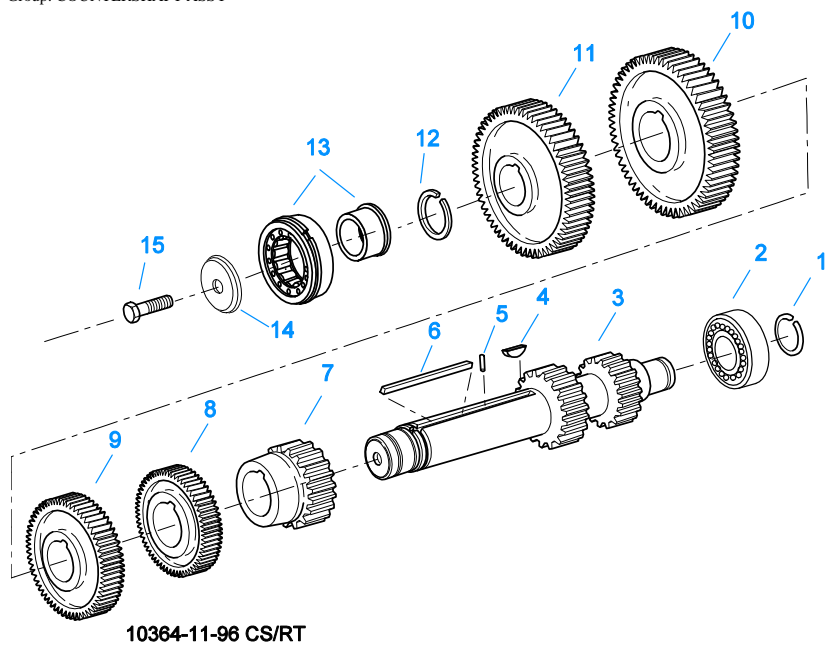
| Item | Current Part | Description | Replaced Part | Qty. | Notes | Kits/Assys Where Needed |
|------|--------------|--|----------------------------|------|-----------------------|-------------------------|
| 1 | 4301302 | BRACKET | | 3 | | |
| 2 | 5559348 | TY-RAP | | 8 | | K-3682,K-4118 |
| 3 | 4301367 | MOUNTING PAD | | 4 | | |
| 4 | 4301378 | DOWEL PIN | | 2 | | S-2927 |
| 5 | K-3457RX | REMAN EXCHANGE TRANSMISSION CONTROLLER KIT | K-3457, K-3457R | 1 | | |
| 6 | 4301369 | SLEEVE | | 2 | | |
| 7 | 4302114 | WASHER | | 2 | | |
| 8 | X-8-552 | SCREW | | 2 | 5/16"-18X1-1/2" | |
| 9 | K-3682 | RANGE/SPLITTER VALVE KIT | 5561801 ,5561804 ,K - 2907 | 1 | FOR SPLITTER CYLINDER | |
| 10 | K-2908 | -O- RING KIT | | 2 | FOR SOLENOID VALVE | |
| 11 | X-8-264 | HEX FLANGE HEAD SCREW | X 8 259 | 8 | #10-24 X 1 1/4 | |
| 12 | X-3-301 | LOCKWASHER | | 8 | #10 PLAIN | |
| 13 | K-4118 | TRANSMISSION HARNESS KIT | 691664,K-3527 | 1 | | |
| 14 | K-3682 | RANGE/SPLITTER VALVE KIT | 5561801 ,5561804 ,K - 2907 | 1 | FOR RANGE CYLINDER | |



10444-5/93 CS Helical

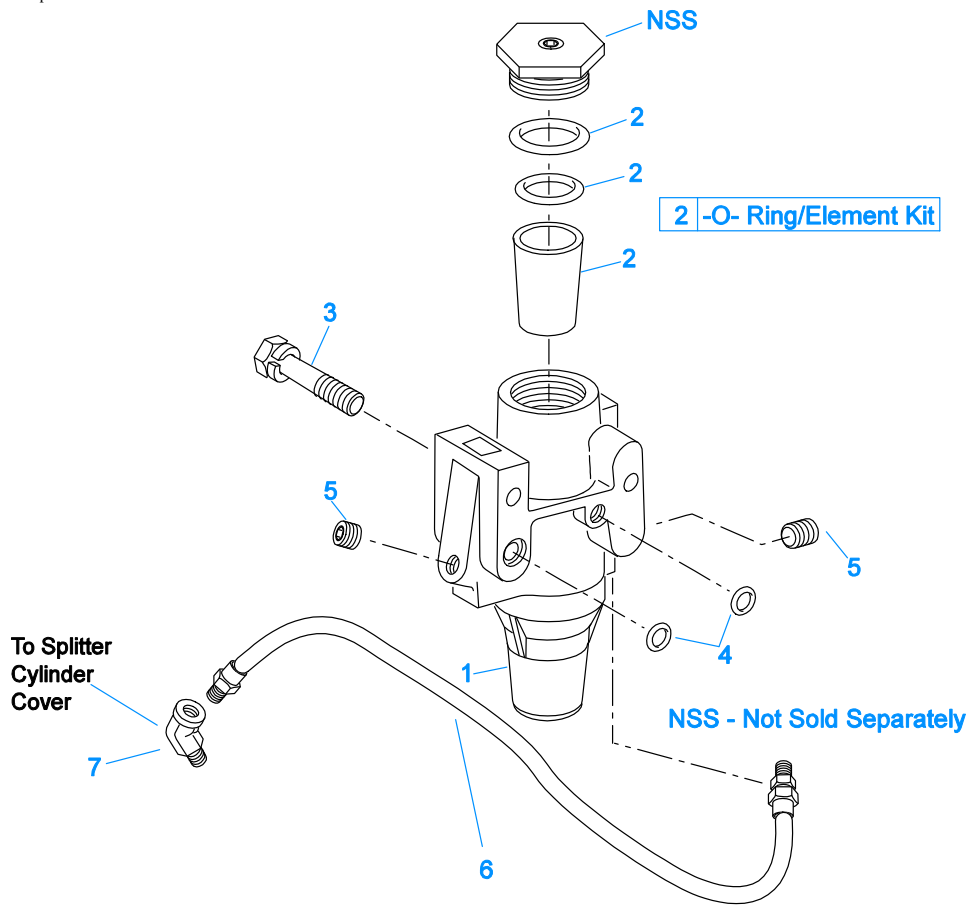
COUNTERSHAFT & BRGS(AUX)

| Item | Current Part | Description | Replaced Part | Qty. | Notes | Kits/Assys Where Needed |
|------|--------------|------------------------|--|------|-------|-------------------------|
| 1 | 4301851-BOX | BEARING | 4301851 | 4 | | K-3512,K-3513 |
| 2 | K-3220 | COUNTERSHAFT REPLT KIT | 4301792 ,4301793 ,A - 6187 ,A - 6602 ,A - 6603 | 2 | | |
| 3 | 4303124 | SPACER | K-3220 | | | |



COUNTERSHAFT ASSY

| Item | Current Part | Description | Replaced Part | Qty. | Notes | Kits/Assys Where Needed |
|------|--------------|---------------------|------------------------------|------|----------------|-------------------------|
| 1 | 4302082 | SNAP RING | | 2 | | K-3511,K-3512,K-3513 |
| 2 | 4302712 | BEARING | | 2 | | K-3512,K-3513 |
| 3 | 4304073 | CNTRSHFT-W/REV & LO | | 2 | | |
| 4 | X-6-E | KEY | | 2 | | |
| 5 | 62511 | ROLL PIN | | 2 | | |
| 6 | 4304840 | KEY | 19673 | 2 | | |
| 7 | 4304765 | 1ST GEAR-CNTRSHFT | 4303702 ,4304520 | 2 | | |
| 8 | 4300247 | 2ND GEAR-CNTRSHFT | | 2 | | |
| 9 | 4303666 | OD GEAR-CNTRSHFT | 4304508 ,4304315 | 2 | | |
| 10 | 15953 | PTO GEAR - LOWER | | 1 | | |
| 10 | 20840 | PTO GEAR - UPPER | 15952 | 1 | | |
| 11 | 4302666 | DRIVE GEAR-CNTRSHFT | 4303697,4304512 | 2 | | |
| 12 | 19198 | SNAP RING | | 2 | | K-3511 |
| 13 | 4304599 | BEARING | 4302677, 4304598, 4306332 | 2 | | K-3512,K-3513 |
| 14 | 4304605 | RETAINER | 19548 | 2 | | |
| 15 | X-7-1005 | CAPSCREW | | 2 | 5/8"-18X1-3/4" | |

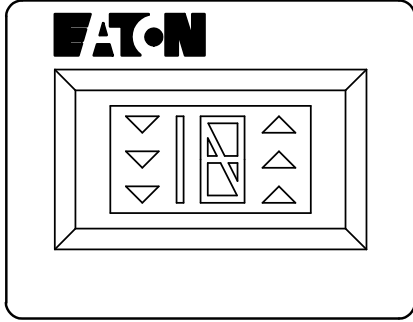


10131A-08-01

FILTER REGULATOR

| Item | Current Part | Description | Replaced Part | Qty. | Notes | Kits/Assys Where Needed |
|------|--------------|----------------------|---------------|------|----------------------|-----------------------------|
| 1 | K-2170 | FILTER REG KIT | A - 5454 | 1 | | |
| 2 | K-1698 | -O- RING/ELEMENT KIT | | 1 | FOR FILTER REGULATOR | |
| 3 | X-8C-412 | CAPSCREW | X 8S 412 | 2 | 1/4"-20X2-1/4" | |
| 4 | 15114 | -O- RING | | 2 | | K-2170,K-3365,K-3484,K-3510 |
| 5 | X-12-208 | PIPE PLUG | | 2 | 1/8" NPT | |
| 6 | 55505 | HOSE ASSY | | 1 | 16" | |
| 7 | 12845 | ELBOW | | 1 | 1/8" | K-3366,S-2940 |

Group: GEAR DISPLAY MODULE

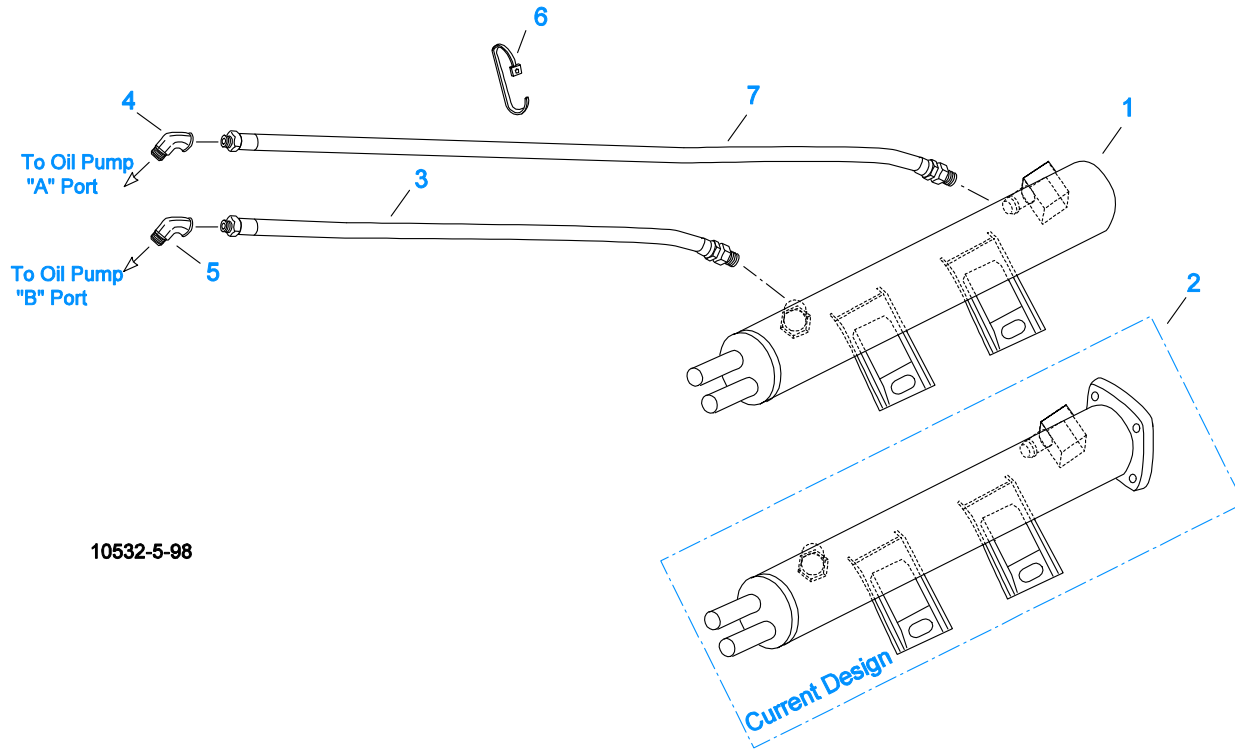


30317-03-01

GEAR DISPLAY MODULE

| Item | Current Part | Description | Replaced Part | Qty. | Notes | Kits/Assys Where Needed |
|------|--------------|-----------------------|---------------|------|-------|-------------------------|
| 1 | K-3199 | DRIVER DISPLAY MODULE | 4302640 | 1 | | |

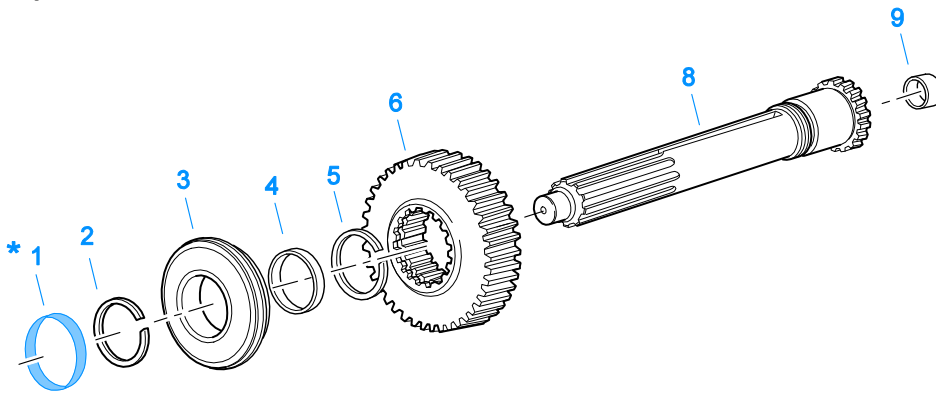
Group: HEAT EXCHANGER



10532-5-98

HEAT EXCHANGER

| Item | Current Part | Description | Replaced Part | Qty. | Notes | Kits/Assys Where Needed |
|------|--------------|--------------------|------------------------|------|--|-------------------------|
| 0 | K-3902 | MOUNTING BRACKET | 4304665 | 1 | NOT PICTURED | |
| 0 | X-8C-6111 | SCREW | | 2 | 3/8"-16X3/4" - NOT PICTURED, FOR MOUNTING BRACKET | |
| 1 | K-3967 | HEAT EXCHANGER KIT | 5586604,5586616,K-3624 | 1 | MUST USE WHEN REPLACING 5586604 HEAT EXCHANGER WITH 5/8" PORTS, 5/8" TO 3/4" ADAPTERS ARE INCLUDED IN THIS KIT | |
| 2 | K-3956 | HEAT EXCHANGER KIT | 5586629 | 1 | 3/4" PORTS | |
| 3 | 5588108 | OIL HOSE ASSEMBLY | 5586908 | 1 | 52.0" | |
| 4 | 4304076 | ELBOW | | 1 | | |
| 5 | 4301123 | ELBOW | | 1 | | |
| 6 | 21425 | STRAP | | 2 | | K-3441 |
| 7 | 5588107 | OIL HOSE ASSEMBLY | 5586907 | 1 | 45.0" | |



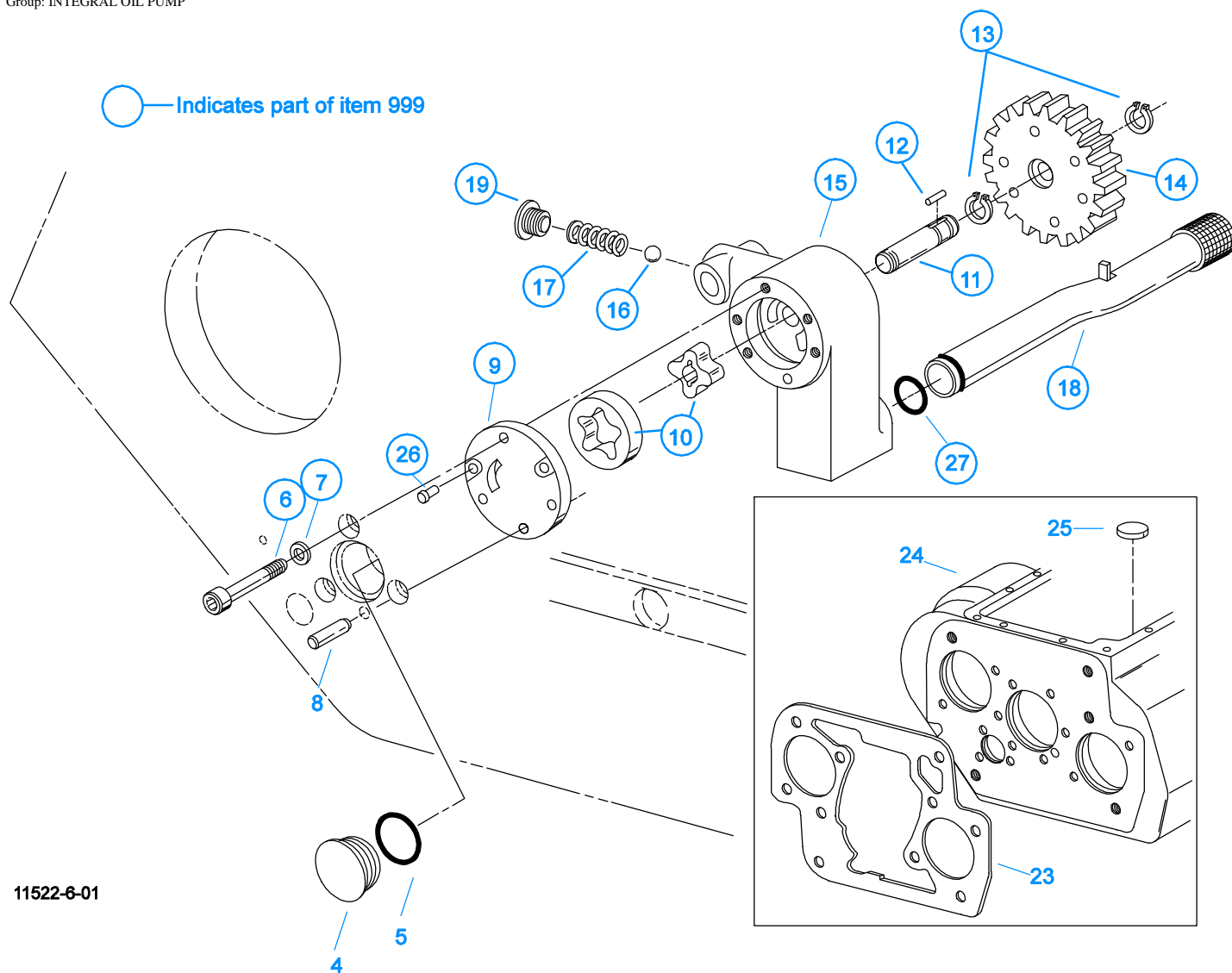
* For Shipping Only -- Do Not Replace

*

10370-1/92 IS

INPUT SHAFT & DRIVE GEAR

| Item | Current Part | Description | Replaced Part | Qty. | Notes | Kits/Assys Where Needed |
|------|--------------|-----------------|----------------------|------|---------------------------|-------------------------|
| 1 | 23559 | SHIPPING SEAL | | 1 | NOT SOLD FOR SERVICE | |
| 2 | 16980 | SNAP RING | | 1 | | K-3511,K-3512,K-3513 |
| 3 | 81504 | BEARING | | 1 | | K-3512,K-3513 |
| 4 | 16463 | SPACER | | 1 | | |
| 5 | 14750 | SNAP RING | | 1 | | K-3511,K-3512,K-3513 |
| 6 | 4304510 | MAIN DRIVE GEAR | 4303695 ,4304314 | 1 | | |
| 8 | S-1659 | INPUT SHAFT | 20535 23566 ,4302661 | 1 | 2" PULL - USE W/FBC 20550 | K-3513 |
| 8 | S-1660 | INPUT SHAFT | 20536 ,23567 | 1 | 2" PUSH - USE W/FBC 20549 | |
| 9 | 16566 | BUSHING | | 1 | | K-3512,S-1659,S-1660 |



INTEGRAL OIL PUMP

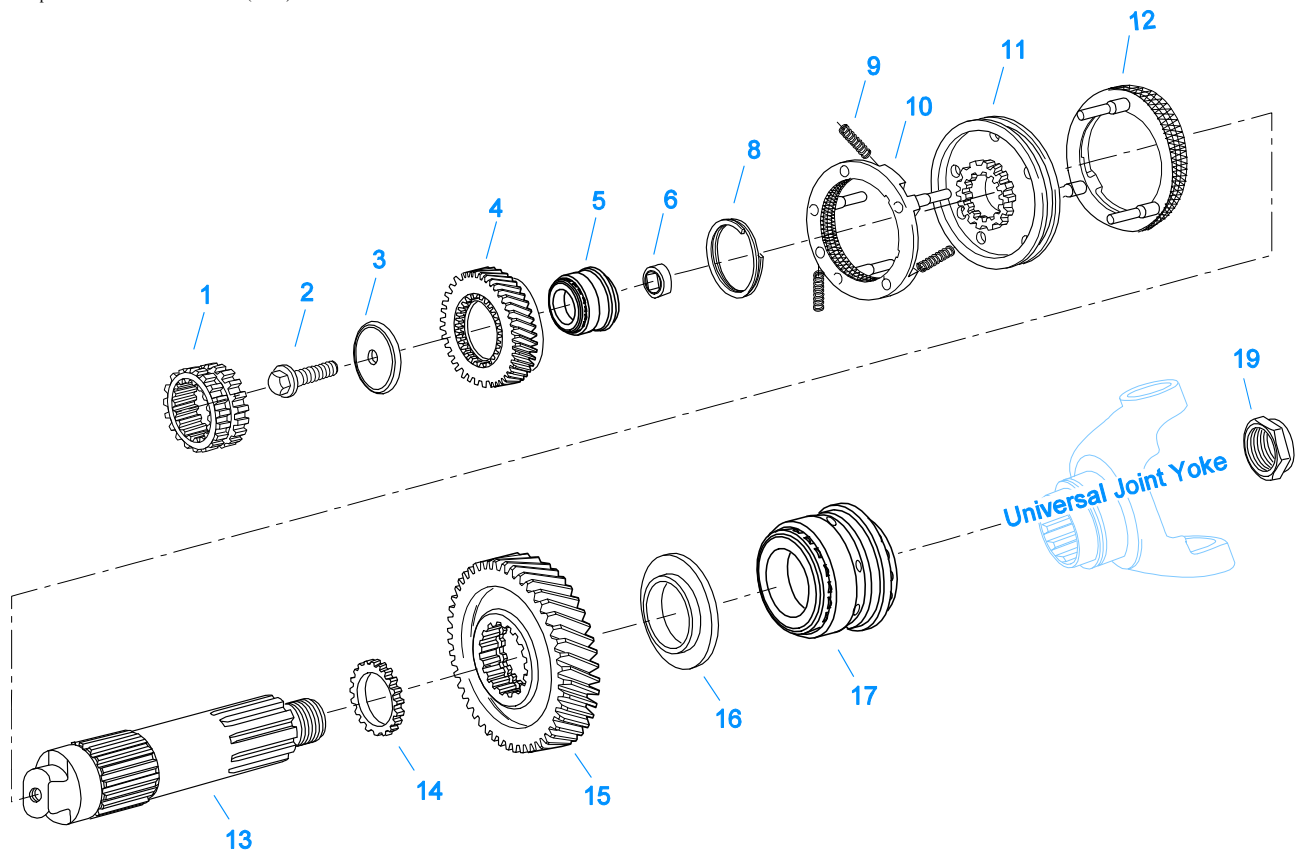
| Item | Current Part | Description | Replaced Part | Qty. | Notes | Kits/Assys Where Needed |
|------|--------------|-----------------|--|------|----------------|-------------------------|
| 4 | 20823 | PLUG | | 1 | | |
| 5 | 14765 | -O- RING | | 1 | | K-3484,K-3510 |
| 6 | X-8-448 | SCREW | X 8 445 | 3 | 1/4"-20X1-1/4" | K-3367 |
| 7 | 20824 | WASHER | | 3 | | |
| 8 | 20825 | DOWEL PIN | | 1 | | |
| 9 | 4303773 | RETAINER | | 1 | | |
| 10 | K-3367 | OIL PUMP KIT | 4301829 ,4301948 ,4303776 ,4304529 ,4304572 A - 6963 ,A - 7173 | 1 | | |
| 11 | K-3367 | OIL PUMP KIT | 4301829 ,4301948 ,4303776 ,4304529 ,4304572 A - 6963 ,A - 7173 | 1 | | |
| 12 | 20509 | KEY | | 1 | | |
| 13 | 14853 | SNAP RING | | 2 | | |
| 14 | 4303774 | PUMP DRIVE GEAR | 4304880 | 1 | | |
| 15 | K-3367 | OIL PUMP KIT | 4301829 ,4301948 ,4303776 ,4304529 ,4304572 A - 6963 ,A - 7173 | 1 | | |
| 16 | X-14-700 | STEEL BALL | | 1 | 7/16" | |

| Item | Current Part | Description | Replaced Part | Qty. | Notes | Kits/Assys Where Needed |
|------|--------------|--------------------------|---|------|---------------------------------|---|
| 17 | 4303775 | SPRING | | 1 | | |
| 18 | 4305713 | SUCTION TUBE | 4304628 | 1 | O-RING INCLUDED ON SUCTION TUBE | K-3367 |
| 19 | K-3367 | OIL PUMP KIT | 4301829 ,4301948 ,4303776 ,4304529 ,4304572 A - 6963 ,A - 7173 | 1 | | |
| 20 | 4303828 | PLUG | | 1 | | K-3367 |
| 21 | X-8-686 | CAPSCREW | | 2 | 3/8"-16X3/4" | |
| 22 | 4305715 | SPLITTER LUBE TUBE | A - 7197 | 1 | | |
| 23 | 4306584 | CLUTCH HOUSING GASKET | 4304815,4305668 | 1 | | K-3509,K-3671,K- 3672,K-3673,K- 3676,K-3677 |
| 24 | S-3019 | CASE ASSEMBLY | 691711 ,4305812 ,S - 2892 | 1 | | |
| 25 | 14373 | MAGNET | | 3 | | S-3003,S-3019 |
| 26 | X-8-447 | SCREW | | 2 | | |
| 27 | 20225 | -O- RING | | 1 | | |
| 999 | K-3367 | OIL PUMP KIT | 4301829 ,4301948 ,4303776 ,4304529 ,4304572 A - 6963 ,A - 7173 | 1 | | |

KITS & ASSEMBLIES

| Item | Current Part | Description | Replaced Part | Qty. | Notes | Kits/Assys Where Needed |
|----------|--------------|--|--|------|---|-------------------------|
| K-1698 | | -O- RING/ELEMENT KIT | | 1 | FOR FILTER REGULATOR | |
| K-1956 | | COOLER INSTLN KIT | | 1 | | |
| K-2170 | | FILTER REG KIT | A - 5454 | 1 | | |
| K-2803 | | O-RING KIT - SPLITTER | | 1 | | |
| K-2805 | | SHIM KIT | 21452 K - 2106 | 1 | | K-3512,K-3513,S-2940 |
| K-2908 | | -O- RING KIT | | 1 | FOR SOLENOID VALVE | |
| K-2918 | | OIL SEAL KIT | 4302322 4302323 | 1 | "FOR MAGNETIC COVER" | K-3512,K-3513 |
| K-3220 | | COUNTERSHAFT REPLT KIT | 4301792 ,4301793 ,A - 6187 ,A - 6602 ,A - 6603 | 1 | | |
| K-3231 | | SPEED SENSOR KIT | A - 6398 ,A - 6724 | 1 | SINGLE PICK-UP (2 PIN) | |
| K-3365 | | RANGE CYL COVER KIT | 691442 | 1 | | |
| K-3366 | | SPLT CYL COVER KIT | 691444 | 1 | | |
| K-3367 | | OIL PUMP KIT | 4301829 ,4301948 ,4303776 ,4304529 ,4304572 A - 6963 ,A - 7173 | 1 | | |
| K-3436 | | XY SHIFTER KIT | 691381 ,A - 7034 | 1 | | |
| K-3438 | | POSITION SENSOR KIT | 691551 ,691926 | 1 | | |
| K-3441 | | OIL FILTER/ADAPTER KIT | | 1 | | |
| K-3457RX | | REMAN EXCHANGE TRANSMISSION CONTROLLER KIT | K-3457, K-3457R | 1 | | |
| K-3484 | | O-RING KIT - RANGE | | 1 | | |
| K-3492 | | SYNCHRONIZER KIT | K - 2446 | 1 | | |
| K-3497 | | SYNCHRONIZER REPLACEMENT KIT | K - 3200 | 1 | SLIDING CLUTCH INCLUDED IN KIT | |
| K-3509 | | GASKET KIT | | 1 | | K-3512,K-3513 |
| K-3510 | | O-RING KIT - COMPLETE | | 1 | | K-3512,K-3513 |
| K-3511 | | SMALL PARTS KIT | | 1 | | |
| K-3512 | | BASIC REBUILD KIT | | 1 | | |
| K-3513 | | BASIC OVERHAUL KIT | | 1 | | |
| K-3523 | | SPEEDO PLUG KIT | 4302707 | 1 | | |
| K-3671 | | FORCED LUBE CL HSG KIT | A - 7148 | 1 | #1 PULL IRON | |
| K-3672 | | FORCED LUBE CL HSG KIT | A - 7149 ,A - 7150 | 1 | #1 PULL IRON - NODAL MOUNT - UPPER/LOWER | |
| K-3673 | | FORCED LUBE CL HSG KIT | A - 7146 | 1 | #1 PULL ALUMINUM - NODAL MOUNT | |
| K-3676 | | FORCED LUBE CL HSG KIT | A - 7145 | 1 | #1 PULL ALUMINUM | |
| K-3677 | | FORCED LUBE CL HSG KIT | A-7592 | 1 | #1 PULL IRON - NODAL MOUNT - UPPER | |
| K-3682 | | RANGE/SPLITTER VALVE KIT | 5561801 ,5561804 ,K - 2907 | 1 | | |
| K-3967 | | HEAT EXCHANGER KIT | 5586604,5586616,K-3624 | 1 | MUST USE WHEN REPLACING 5586604 HEAT EXCHANGER WITH 5/8" PORTS, 5/8" TO 3/4" ADAPTERS ARE INCLUDED IN THIS KIT | |
| K-3979 | | SPACER KIT | | 1 | INCLUDES (4) SPACER MOUNTING SCREWS | |
| K-3980 | | COBRA SHIFT LEVER KIT (RHO) | K-3680 | 1 | (LEFT HAND DRIVE), ALSO KNOWN AS (RHO) RIGHT HAND OPERATION | |
| K-3997 | | COBRA SHIFT LEVER KIT (RHO) W/MACK SWING ARM | A - 7181,K-3680 | 1 | (LEFT HAND DRIVE), ALSO KNOWN AS (RHO) RIGHT HAND OPERATION - FOR UNITS USING THE MACK 10MY559M SWING ARM BRACKET | |
| K-4118 | | TRANSMISSION HARNESS KIT | 691664,K-3527 | 1 | | |
| S-1404 | | OIL FILTER | 17238 | 1 | | |
| S-1659 | | INPUT SHAFT | 20535 23566 ,4302661 | 1 | 2" PULL - USE W/FBC 20550 | K-3513 |
| S-1660 | | INPUT SHAFT | 20536 ,23567 | 1 | 2" PUSH - USE W/FBC 20549 | |
| S-2501 | | SPEEDO ROTOR ASSY | 4302242 | 1 | MAGNETIC | |
| S-2913 | | REAR BEARING COVER ASSY | 691637 ,4304651 ,4305833 | 1 | | |
| S-2915 | | SHIFT BAR HOUSING ASSY | 691532 | 1 | HOUSING ONLY (DOES NOT INCLUDE SPEED SENSORS) | |

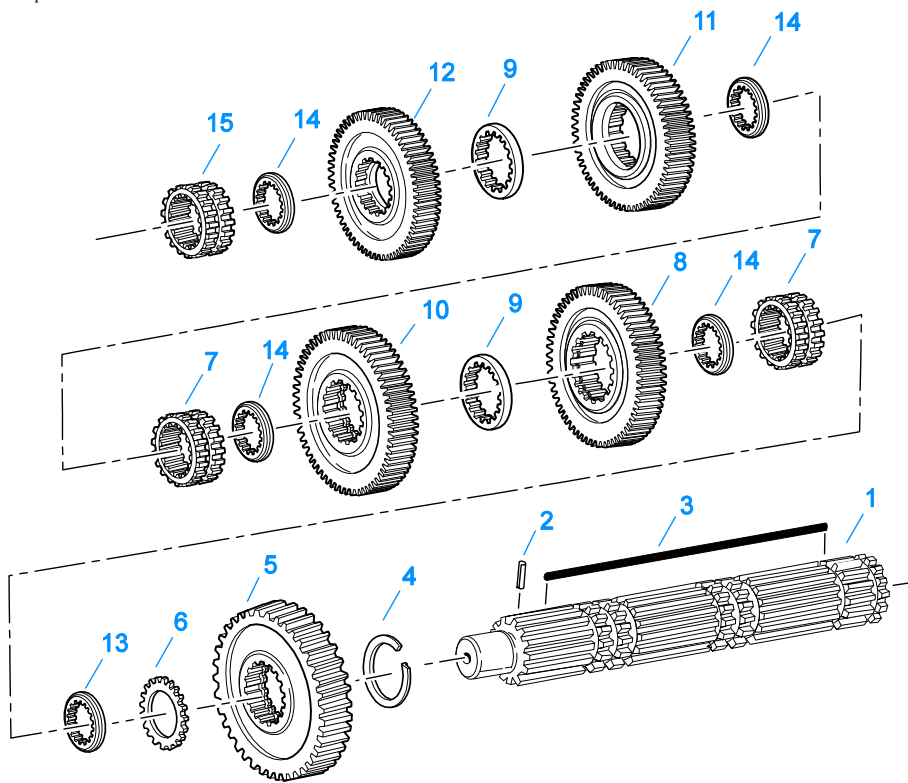
| Item | Current Part | Description | Replaced Part | Qty. | Notes | Kits/Assys Where Needed |
|---------|--------------|--------------------------|-----------------------------------|------|---|-------------------------|
| S-2927 | | SHIFT BAR HOUSING ASSY | 691532 | 1 | COMPLETE | |
| S-2940 | | RANGE SECTION ASSY | | 1 | | |
| S-2940R | | REMAN RANGE SECTION ASSY | | 1 | | |
| S-2989 | | PUSHBUTTON ASSEMBLY | S - 2985 | 1 | | |
| S-2990 | | PUSHBUTTON ASSEMBLY | | 1 | FOR USE WITH REMOTE LEVER | |
| S-3003 | | CASE ASSEMBLY | 4305392 ,4305812 ,S - 2933 | 1 | USE FOR UNITS BUILT WITH THE FORCED LUBRICATION SYSTEM DESIGN | |
| S-3019 | | CASE ASSEMBLY | 691711 ,4305812 ,S - 2892 | 1 | USE FOR UNITS BUILT PRIOR TO THE FORCED LUBRICATION SYSTEM DESIGN | |
| S-3108 | | MAINSHAFT ASSY | 4302658 ,4303403 ,S - 2268,S-2560 | 1 | | |



10438A-08-01

MAINSHAFT & SYNCHRO(AUX)

| Item | Current Part | Description | Replaced Part | Qty. | Notes | Kits/Assys Where Needed |
|------|--------------|----------------------------|----------------------------|------|----------------|------------------------------------|
| 1 | 691934 | SLIDING CLUTCH-SPLITTER | 4303822 | 1 | | |
| 2 | X-7-1007 | SCREW | | 1 | 5/8"-18X1-3/4" | |
| 3 | 4301843 | RETAINER | | 1 | | |
| 4 | 691445 | SPLITTER GEAR | | 1 | | |
| 5 | 4300902-BOX | TAPERED ROLLER BRG | 4300902 | 1 | | K-3512,K-3513 |
| 6 | 4301844 | BEARING SLEEVE | | 1 | | |
| 8 | 4303424 | SNAP RING | | 1 | | K-3511,K-3512,K-3513 |
| 9 | 14897 | SPRING | | 3 | | K-3492,K-3497,K-3511,K-3512,K-3513 |
| 10 | A-7331 | SYNCHRONIZER ASSY | 4304396 ,4304397 ,A - 5917 | 1 | HI RANGE | K-3492,K-3497 |
| 11 | 4301840 | SLIDING CLUTCH | 4303386 | 1 | | K-3497 |
| 12 | A-7254 | SYNCHRONIZER ASSEMBLY | A - 4937 ,A - 5876 | 1 | LO RANGE | K-3492,K-3497 |
| 13 | 4303705 | MAINSHAFT | | 1 | | |
| 14 | 4301842 | WASHER | | 1 | | |
| 15 | 4301795 | REDUCTION GEAR | 4301794 | 1 | | |
| 16 | 4300912 | SPACER | | 1 | | |
| 17 | 5556503-BOX | BEARING | 5556503 | 1 | | K-3512,K-3513 |
| 19 | K-4122 | HEX FLANGE CRIMPED NUT KIT | 4302321,4306520 | 1 | | K-3511 |



10337B-10-96

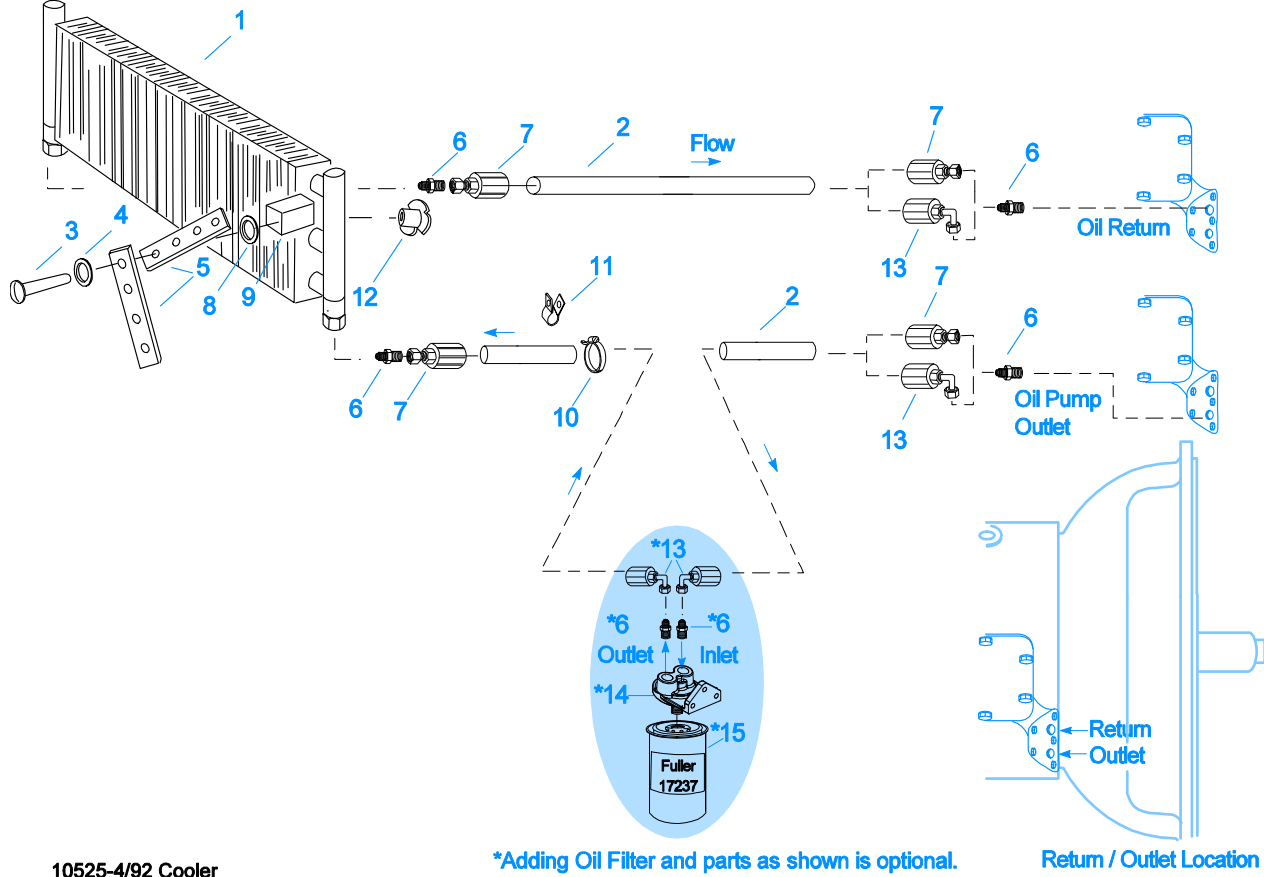
MAINSHAFT ASSY

| Item | Current Part | Description | Replaced Part | Qty. | Notes | Kits/Assys Where Needed |
|------|--------------|------------------------|-----------------------------------|------|-------|-------------------------|
| 1 | S-3108 | MAINSHAFT ASSY | 4302658 ,4303403 ,S - 2268,S-2560 | 1 | | |
| 2 | 62504 | ROLL PIN | | 1 | | S-3108 |
| 3 | 4304615 | 3-SIDED KEY | 4300120 | 1 | | |
| 4 | 14750 | SNAP RING | | 1 | | K-3511,K-3512,K-3513 |
| 5 | 23653 | REVERSE GEAR-MAINSHAFT | | 1 | | |
| 6 | 4302047 | SPACER | | 1 | | K-3511 |
| 7 | 4305997 | SLIDING CLUTCH | 4301407 | 2 | | |
| 8 | 4303412 | LO GEAR-MAINSHAFT | 4303410 | 1 | | |
| 9 | 4303603 | WASHER | 4302397 | 2 | | K-3511 |
| 10 | 4303701 | 1ST GEAR-MAINSHAFT | | 1 | | |
| 11 | 4302670 | 2ND GEAR-MAINSHAFT | | 1 | | |
| 12 | 4304514 | OD GEAR-MAINSHAFT | 4302664 ,4303698 ,4304316 | 1 | | |
| 13 | 4300382 | WASHER .249-WHITE | | 1 | | K-3511 |
| 14 | 4302398 | WASHER | | 4 | | K-3511 |
| 15 | 4305996 | SLIDING CLUTCH | 691922 | 1 | | K-3513 |

MISCELLANEOUS

| Item | Current Part | Description | Replaced Part | Qty. | Notes | Kits/Assys Where Needed |
|---------|--------------|---------------------|---------------|------|----------------------------------|-------------------------|
| 5586260 | | SHIFT DIAGRAM LABEL | | 1 | | S-2989 |
| 71203 | | SILICONE LUBE | | 1 | 8 OZ (236.59 CC)-FLEET SIZE | |
| 71204 | | ADHESIVE SEALANT | | 1 | 0.5 CC (SINGLE APPLICATION SIZE) | |
| 71205 | | SEALANT | | 1 | 2 CC (SINGLE APPLICATION SIZE) | K-3513 |
| 71206 | | SILICONE LUBE | | 1 | 4 CC (SINGLE APPLICATION SIZE) | K-2803,K-3484,K-3510 |

Group: OIL COOLER



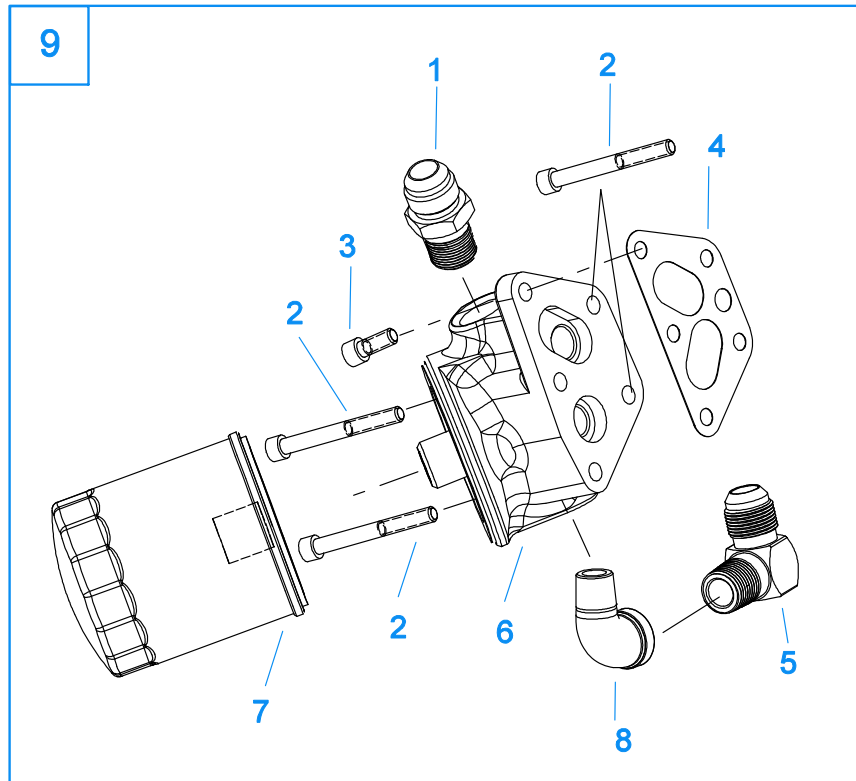
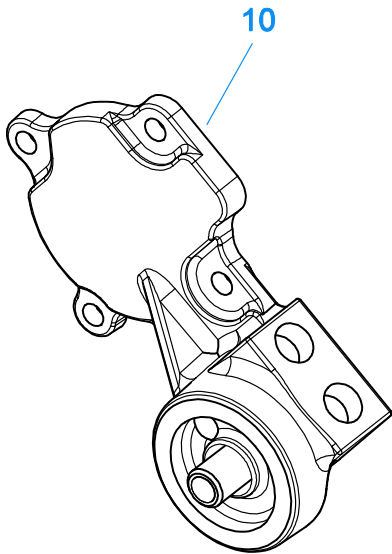
10525-4/92 Cooler

*Adding Oil Filter and parts as shown is optional.

Return / Outlet Location

OIL COOLER

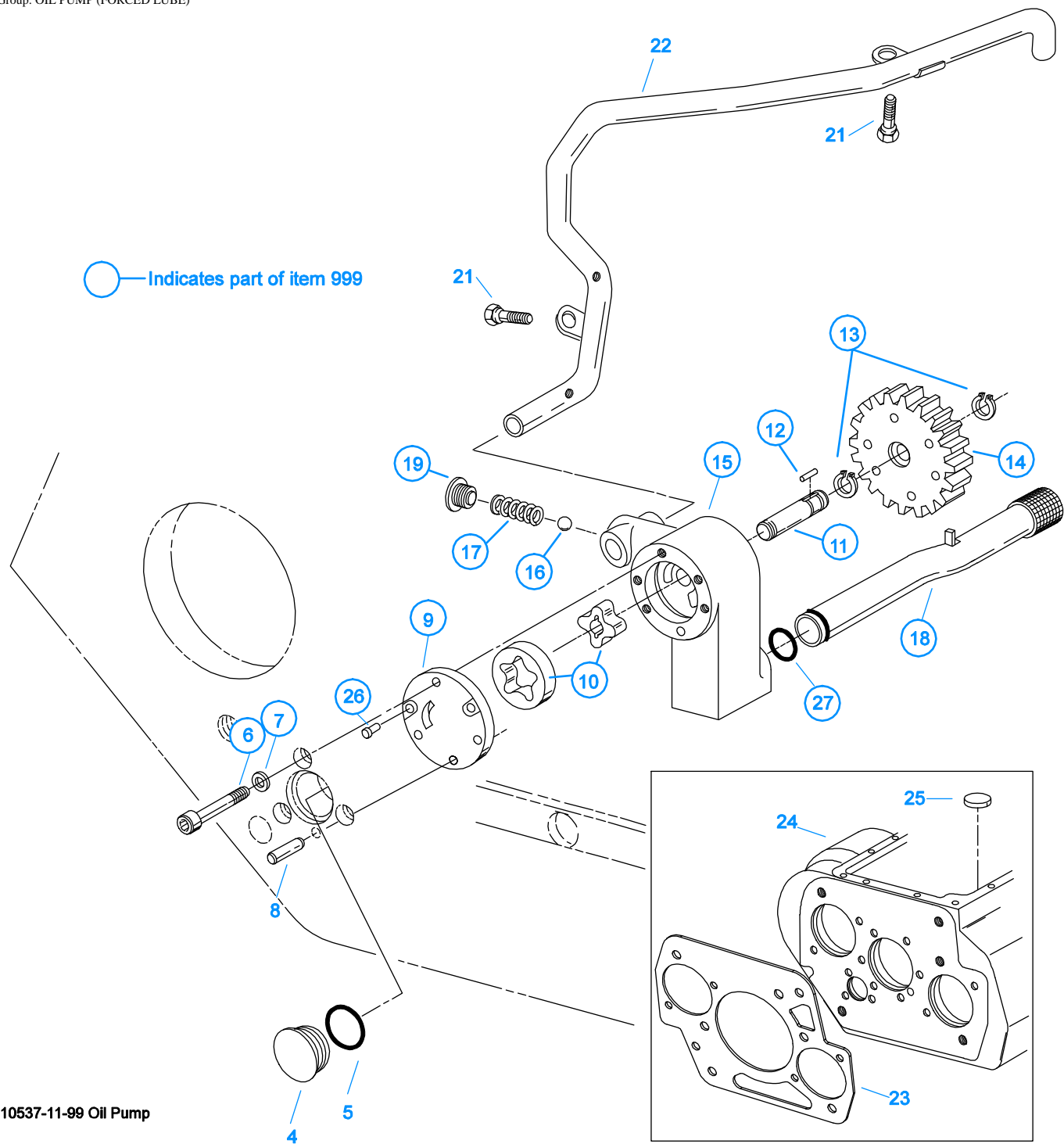
| Item | Current Part | Description | Replaced Part | Qty. | Notes | Kits/Assys Where Needed |
|------|--------------|-------------------|---------------|------|-----------------|-------------------------|
| 1 | 18025 | OIL COOLER | | 1 | | K-1956 |
| 2 | 19424 | HOSE | | 1 | 25 FEET | K-1956 |
| 3 | X-8-535 | CAPSCREW | | 2 | 5/16"-16X2-1/2" | |
| 4 | X-3-506 | LOCKWASHER | | 2 | 5/16" | |
| 5 | 18211 | BRACKET | | 4 | | K-1956 |
| 6 | 19419 | CONNECTOR | | 6 | | K-1956,K-3441,S-1404 |
| 7 | 19415 | SWIVEL | | 4 | | K-1956 |
| 8 | X-10-501 | WASHER | | 2 | 5/16" | |
| 9 | 18209 | PLUG-RUBBER MOUNT | | 2 | | K-1956 |
| 10 | 17190 | STRAP | | 8 | | K-1956 |
| 11 | 19423 | CLAMP | | 5 | | K-1956 |
| 12 | 18210 | NUT | | 2 | | K-1956 |
| 13 | 19422 | ELBOW | | 4 | | K-1956 |
| 14 | S-1404 | OIL FILTER | 17238 | 1 | | |
| 15 | 17237 | FILTER ELEMENT | | 1 | | S-1404 |



10539-3-00

OIL FILTER

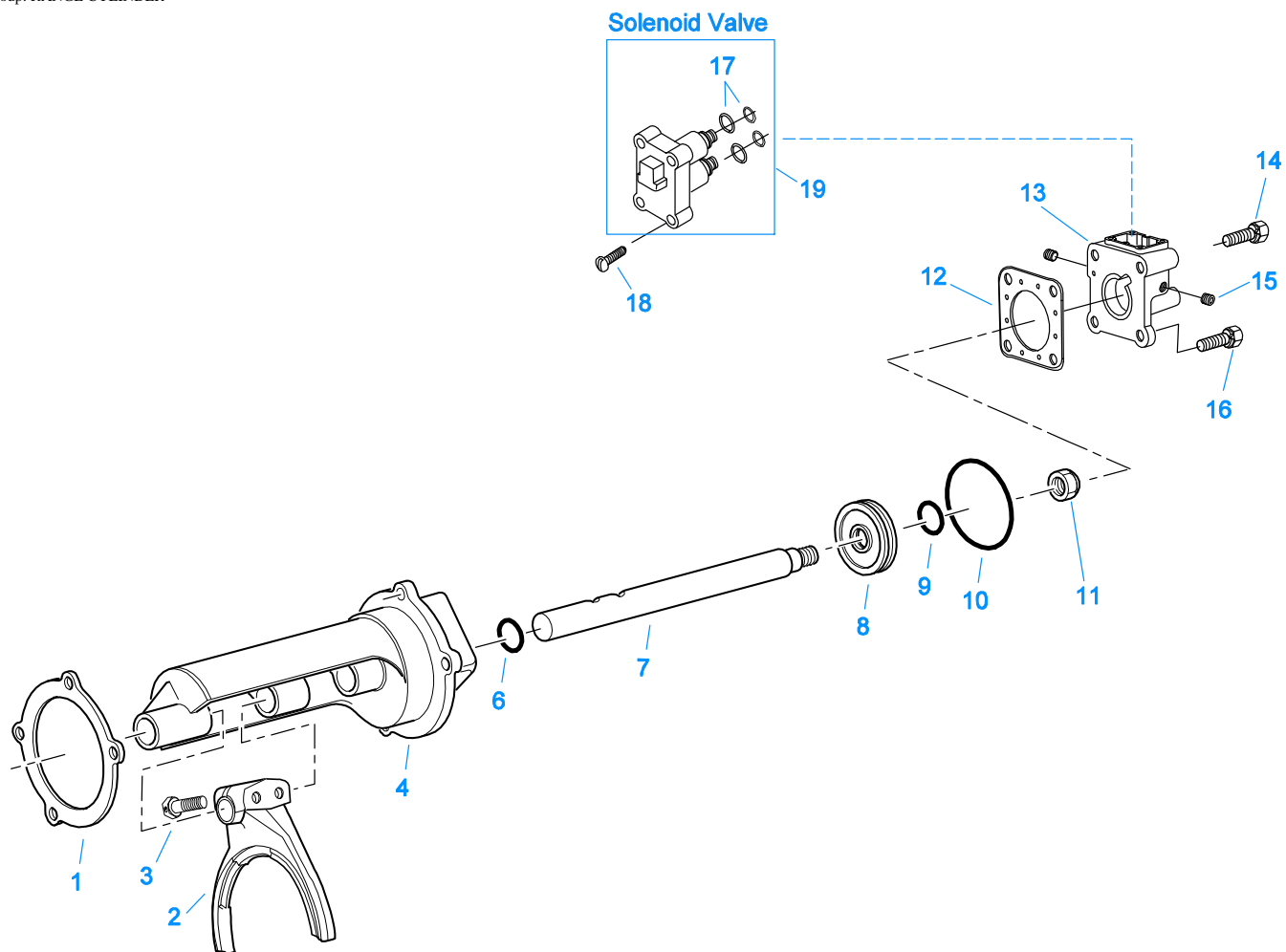
| Item | Current Part | Description | Replaced Part | Qty. | Notes | Kits/Assys Where Needed |
|------|--------------|-----------------------------|---------------|------|-------|-------------------------|
| 1 | 19419 | CONNECTOR | | 1 | | K-1956,K-3441,S-1404 |
| 2 | X-8-453 | SCREW | | 4 | | K-3441 |
| 3 | X-8-452 | SCREW | | 1 | | K-3441 |
| 4 | 4304820 | GASKET | | 1 | | K-3441 |
| 5 | 4301123 | ELBOW | | 1 | | K-3441 |
| 6 | K-3441 | OIL FILTER/ADAPTER KIT | A - 7174 | 1 | | |
| 7 | 4304827 | OIL FILTER ELEMENT | | 1 | | K-3441 |
| 8 | 17007 | ELBOW | | 1 | | K-3441 |
| 9 | K-3441 | OIL FILTER/ADAPTER KIT | | 1 | | |
| 10 | A-7300 | AUX COUNTERSHAFT COVER ASSY | | 1 | | |



OIL PUMP (FORCED LUBE)

| Item | Current Part | Description | Replaced Part | Qty. | Notes | Kits/Assys Where Needed |
|------|--------------|--------------|---------------------------------------|------|----------------|-------------------------|
| 4 | 20823 | PLUG | | 1 | | |
| 5 | 14765 | -O- RING | | 1 | | K-3484,K-3510 |
| 6 | X-8-448 | SCREW | X 8 445 | 3 | 1/4"-20X1-1/4" | |
| 7 | 20824 | WASHER | | 3 | | K-3367 |
| 8 | 20825 | DOWEL PIN | | 1 | | |
| 9 | 4303773 | RETAINER | | 1 | | |
| 10 | K-3367 | OIL PUMP KIT | 4301829 ,4301948 ,4303776 ,4304529 | 1 | | |

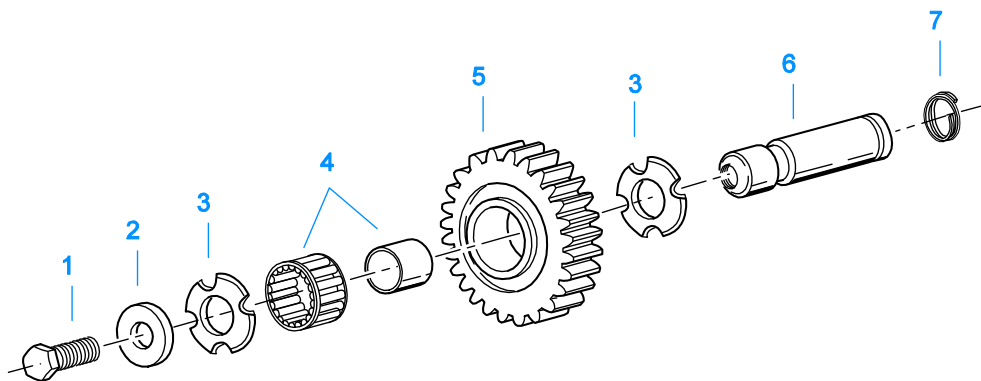
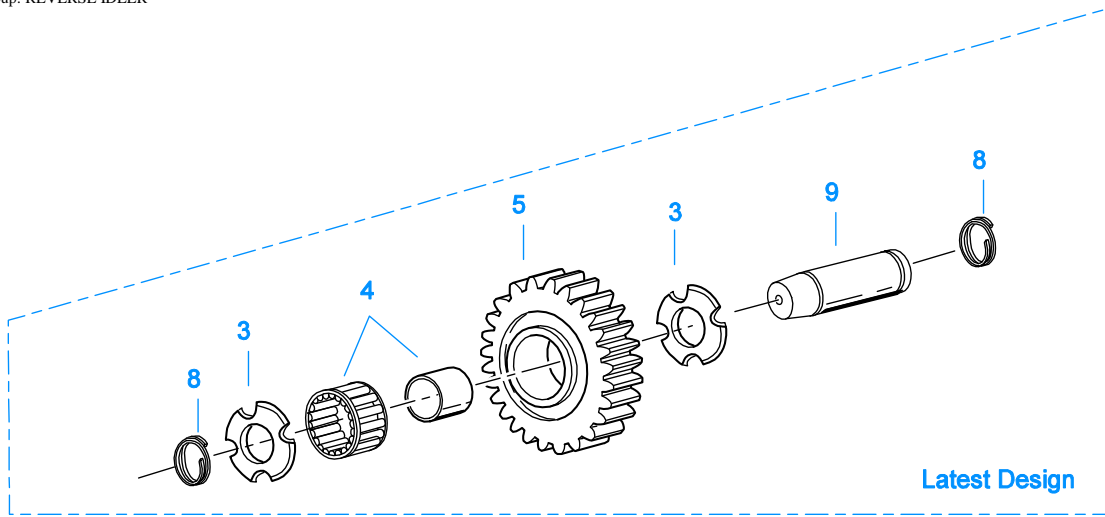
| Item | Current Part | Description | Replaced Part | Qty. | Notes | Kits/Assys Where Needed |
|------|--------------|-----------------------|---|------|---------------------------------|---|
| 11 | K-3367 | OIL PUMP KIT | ,4304572 A - 6963 ,A - 7173 4301829 ,4301948 ,4303776 ,4304529 ,4304572 A - 6963 ,A - 7173 | 1 | | |
| 12 | 20509 | KEY | | 1 | | |
| 13 | 14853 | SNAP RING | | 2 | | |
| 14 | 4303774 | PUMP DRIVE GEAR | 4304880 | 1 | | |
| 15 | K-3367 | OIL PUMP KIT | 4301829 ,4301948 ,4303776 ,4304529 ,4304572 A - 6963 ,A - 7173 | 1 | | |
| 16 | X-14-700 | STEEL BALL | | 1 | 7/16" | |
| 17 | 4303775 | SPRING | | 1 | | |
| 18 | 4305713 | SUCTION TUBE | 4304628 | 1 | O-RING INCLUDED ON SUCTION TUBE | K-3367 |
| 19 | 4304629 | PLUG | | 1 | | |
| 21 | X-8-686 | CAPSCREW | | 2 | 3/8"-16X3/4" | |
| 22 | 4305715 | SPLITTER LUBE TUBE | A - 7197 | 1 | | |
| 23 | 4306584 | CLUTCH HOUSING GASKET | 4304815,4305668 | 1 | | K-3509,K-3671,K-3672,K-3673,K-3676,K-3677 |
| 24 | S-3003 | CASE ASSEMBLY | 4305392 ,4305812 ,S - 2933 | 1 | | |
| 25 | 14373 | MAGNET | | 3 | | S-3003,S-3019 |
| 26 | X-8-447 | SCREW | | 2 | | |
| 27 | 20225 | -O- RING | | 1 | | |
| 999 | K-3367 | OIL PUMP KIT | 4301829 ,4301948 ,4303776 ,4304529 ,4304572 A - 6963 ,A - 7173 | 1 | | |



12461-08-01

RANGE CYLINDER

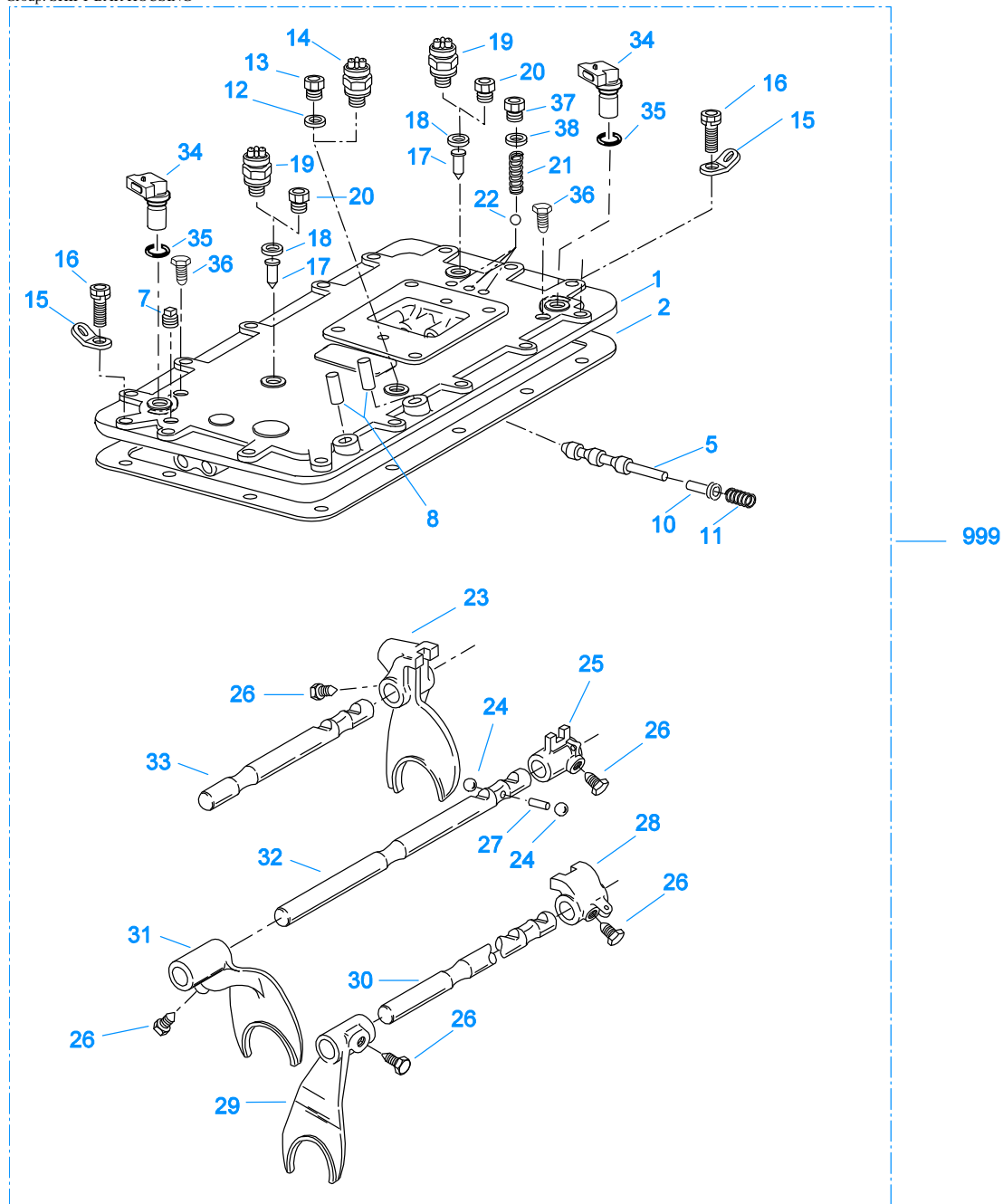
| Item | Current Part | Description | Replaced Part | Qty. | Notes | Kits/Assys Where Needed |
|------|--------------|--------------------------|----------------------------|------|--------------------|-----------------------------|
| 1 | 14347 | GASKET | | 1 | | K-3484,K-3509,K-3510 |
| 2 | 22823 | SHIFT YOKE | 16775 | 1 | | |
| 3 | X-7-809 | BOLT | X 7 810 ,X 7 811 | 2 | 1/2"-20X1-3/4" | |
| 4 | A-6690 | RANGE CYLINDER ASSY | 4303595 | 1 | | |
| 6 | 14765 | -O- RING | | 1 | | K-3484,K-3510 |
| 7 | 4303596 | YOKE BAR | | 1 | | |
| 8 | 14341 | PISTON | 23353 | 1 | | |
| 9 | 14345 | -O- RING | | 1 | | K-3484,K-3510 |
| 10 | 14344 | -O- RING | | 1 | | K-3484,K-3510 |
| 11 | X-1-1010 | NUT | | 1 | 5/8"-18 | |
| 12 | 691955 | GASKET | 691440 | 1 | | K-3365,K-3484,K-3509,K-3510 |
| 13 | K-3365 | RANGE CYL COVER KIT | 691442 | 1 | | |
| 14 | X-8L-636 | CAPSCREW | | 2 | 3/8"-16X3-3/4" | |
| 15 | X-12-208 | PIPE PLUG | | 3 | 1/8" NPT | |
| 16 | X-8L-607 | CAPSCREW | | 2 | 3/8"-16X2-1/4" | |
| 17 | K-2908 | -O- RING KIT | | 1 | FOR SOLENOID VALVE | |
| 18 | X-8-264 | HEX FLANGE HEAD SCREW | X 8 259 | 4 | #10-24 X 1 1/4 | |
| 19 | K-3682 | RANGE/SPLITTER VALVE KIT | 5561801 ,5561804 ,K - 2907 | 1 | | |



11382-3-97 RI

REVERSE IDLER

| Item | Current Part | Description | Replaced Part | Qty. | Notes | Kits/Assys Where Needed |
|------|--------------|----------------------|----------------------------|------|---------------|-------------------------|
| 1 | X-7-1008 | CAPSCREW | | 2 | 5/8"-18X1-1/4 | |
| 2 | 14283 | WASHER | | 2 | | |
| 3 | 4302982 | WASHER | 14282 | 4 | | K-3209 |
| 4 | 14287 | BEARING | 4305020 | 2 | | K-3512,K-3513 |
| 5 | 16757 | REVERSE IDLER GEAR | 22409 | 2 | | |
| 6 | K-3209 | IDLER SHAFT REPL KIT | 16405 ,4302981 ,4305513 | 2 | | |
| 7 | 4303336 | RETAINING RING | | 2 | | K-3209 |
| 8 | 4303336 | RETAINING RING | | 4 | | K-3209 |
| 9 | 4305513 | IDLER SHAFT | | 2 | | K-3209 |

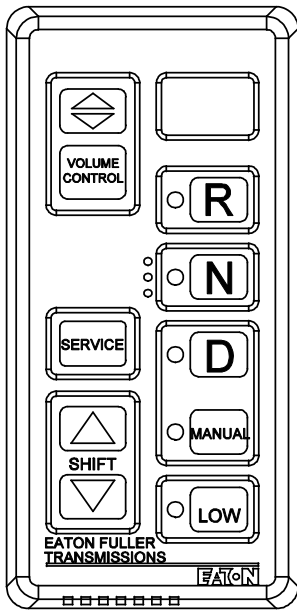


20236-07-01

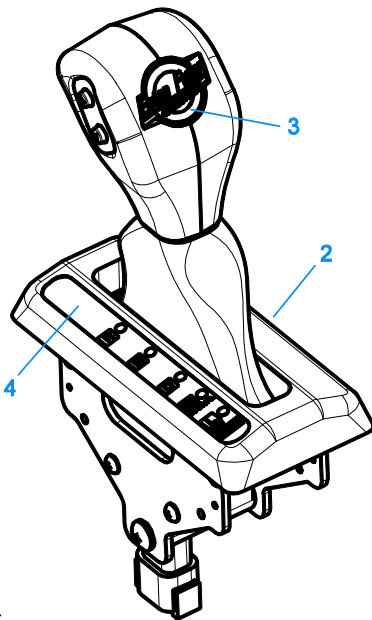
SHIFT BAR HOUSING

| Item | Current Part | Description | Replaced Part | Qty. | Notes | Kits/Assys Where Needed |
|------|--------------|------------------------|---------------|------|---|-------------------------|
| 1 | S-2915 | SHIFT BAR HOUSING ASSY | 691532 | 1 | HOUSING ONLY (DOES NOT INCLUDE SPEED SENSORS) | |
| 2 | 4302676 | GASKET | 14918 | 1 | | K-3509,S-2915,S-2927 |
| 5 | 20332 | AIR VALVE SHAFT | 17177 | 1 | | S-2927 |
| 7 | X-12-603 | PIPE PLUG | X12 602 | 1 | 3/8" NPT | |
| 8 | 4301378 | DOWEL PIN | | 2 | | S-2927 |
| 10 | 21966 | PLUNGER | | 1 | | |
| 11 | 4301372 | SPRING | | 1 | | |
| 12 | 17179 | GASKET | | 1 | | S-2915,S-2927 |
| 13 | 4303655 | PLUG | 17178 | 1 | | S-2915,S-2927 |
| 14 | 22941 | NEUTRAL LIGHT SWITCH | 12639 | 1 | SWITCH NORMALLY CLOSED | |
| 15 | 20815 | LIFTING EYE | 17105 | 2 | | S-2940 |

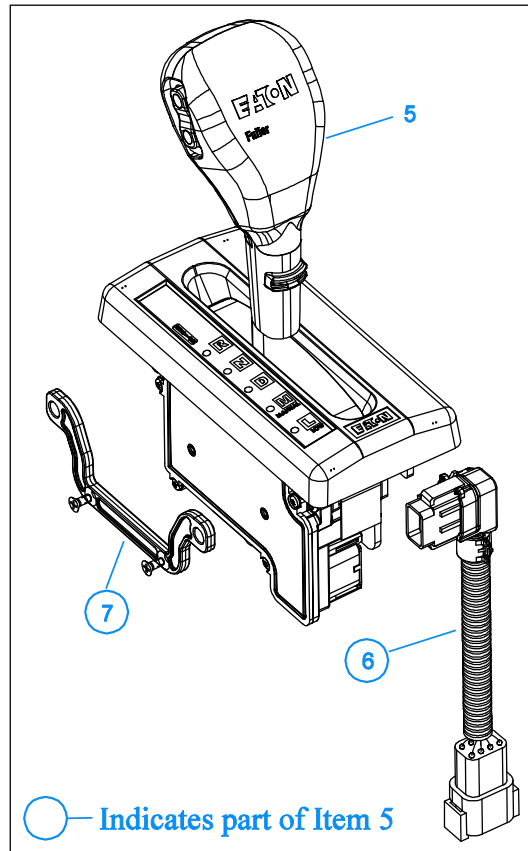
| Item | Current Part | Description | Replaced Part | Qty. | Notes | Kits/Assys Where Needed |
|------|--------------|------------------------|--------------------|------|--|-------------------------|
| 16 | X-8L-602 | CAPSCREW | | 2 | 3/8"-16X1-1/2" | |
| 16 | X-8L-604 | CAPSCREW | | 16 | 3/8"-16X1-1/4"- OR USE 14 PCS OF X-8L-604 WITH 2 PCS OF X-8L-602 | |
| 17 | 15899 | PIN | | 2 | | |
| 18 | 15900 | GASKET | | 2 | | S-2915,S-2927 |
| 19 | 22940 | REVERSE LIGHT SWITCH | 16830 | 1 | SWITCH NORMALLY OPEN | |
| 20 | 4303656 | PLUG | 15917 | 2 | | S-2915,S-2927 |
| 21 | 691661 | COMPRESSION SPRING | | 3 | | K-3511,K-3513,S-2927 |
| 22 | X-14-800 | STEEL BALL | | 3 | 1/2" | |
| 23 | 691712 | SHIFT YOKE | 4301376 | 1 | REVERSE/1ST | S-2927 |
| 24 | X-14-1200 | STEEL BALL | | 2 | 3/4" | |
| 25 | 14658 | SHIFT BLOCK | | 1 | 2ND/3RD | S-2927 |
| 26 | 3220 | LOCKSCREW | | 5 | | S-2927 |
| 27 | 1634 | INTERLOCK PIN | | 1 | | K-3511,S-2927 |
| 28 | 14659 | SHIFT BLOCK | | 1 | 4TH/5TH | S-2927 |
| 29 | 691601 | SHIFT YOKE | 4302212 | 1 | 4TH/5TH | S-2927 |
| 30 | 4301366 | YOKE BAR | | 1 | 4TH/5TH | S-2927 |
| 31 | 691600 | SHIFT YOKE | 4302994 | 1 | 2ND/3RD | S-2927 |
| 32 | 4301365 | YOKE BAR | | 1 | 2ND/3RD | S-2927 |
| 33 | 4301364 | YOKE BAR | | 1 | REVERSE/1ST | S-2927 |
| 34 | K-3231 | SPEED SENSOR KIT | A - 6398 ,A - 6724 | 2 | SINGLE PICK-UP (2 PIN) | |
| 35 | 14142 | -O- RING | | 2 | | S-2927 |
| 36 | X-8C-409 | CAPSCREW | | 2 | 1/4"-20X5/8" | |
| 37 | 4303656 | PLUG | 15917 | 3 | | S-2915,S-2927 |
| 38 | 15900 | GASKET | | 3 | | S-2915,S-2927 |
| 999 | S-2927 | SHIFT BAR HOUSING ASSY | 691532 | 1 | COMPLETE | |



PUSHBUTTON ASSEMBLY



COBRA LEVER - only for use with 10MY559M Mack Swing Arm Bracket



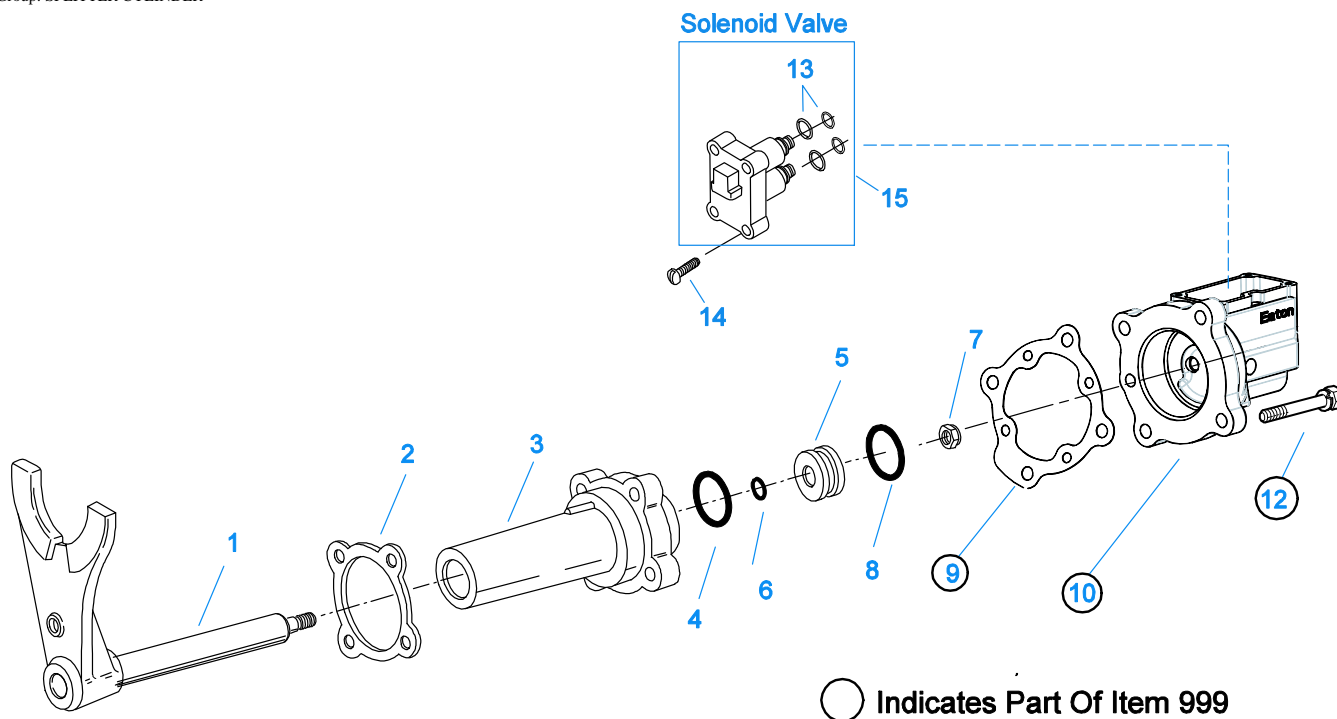
○ Indicates part of Item 5

COBRA LEVER - Latest Design - for all applications with the exception of units using the 10MY559M Mack Swing Arm Bracket (see illustration to the left)

10209-06-09

SHIFT CONTROLS

| Item | Current Part | Description | Replaced Part | Qty. | Notes | Kits/Assys Where Needed |
|------|--------------|--|----------------|------|---|-------------------------|
| 1 | S-2989 | PUSHBUTTON ASSEMBLY | S - 2985 | 1 | | |
| 1 | S-2990 | PUSHBUTTON ASSEMBLY | | 1 | FOR USE WITH REMOTE LEVER | |
| 2 | K-3997 | COBRA SHIFT LEVER KIT (RHO) W/MACK SWING ARM | 4305447,K-3680 | 1 | (LEFT HAND DRIVE), ALSO KNOWN AS (RHO) RIGHT HAND OPERATION - FOR UNITS USING THE MACK 10MY559M SWING ARM BRACKET | |
| 3 | 5505111 | SHIFT LEVER KNOB DECAL | | 1 | | |
| 4 | 5505110 | SHIFT LEVER POSITION STRIP | | 1 | | |
| 5 | K-3980 | COBRA SHIFT LEVER KIT (RHO) | K-3680 | 1 | (LEFT HAND DRIVE), ALSO KNOWN AS (RHO) RIGHT HAND OPERATION | |
| 6 | A-7982 | JUMPER HARNESS ASSY | | 1 | | |
| 7 | K-3979 | SPACER KIT | | 1 | INCLUDES (4) SPACER MOUNTING SCREWS | |



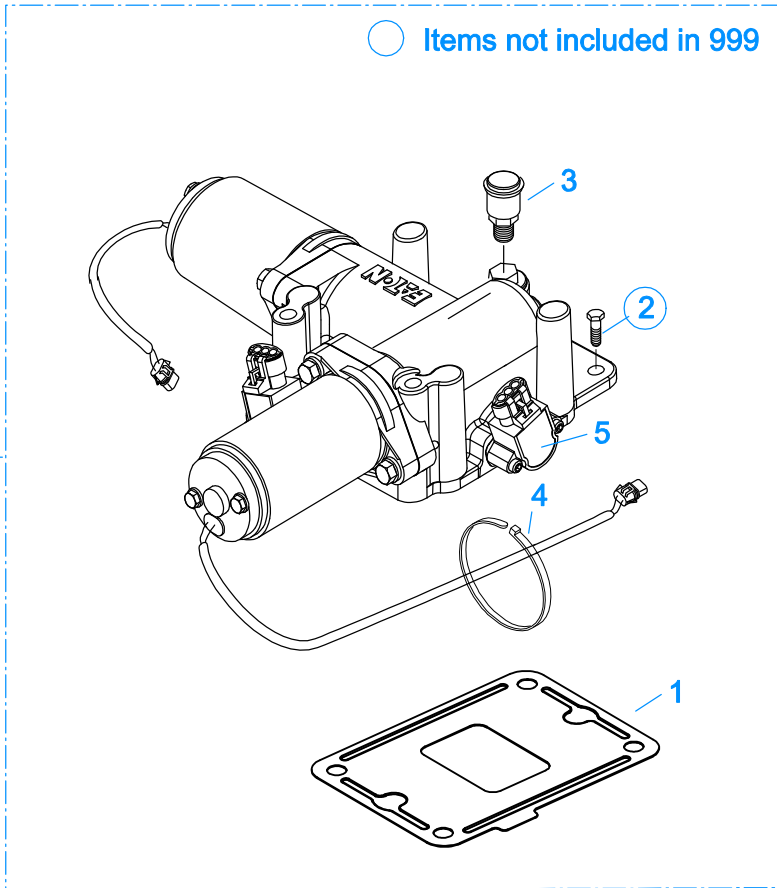
12462-08-01

SPLITTER CYLINDER

| Item | Current Part | Description | Replaced Part | Qty. | Notes | Kits/Assys Where Needed |
|------|--------------|--------------------------|----------------------------|------|--------------------|-----------------------------|
| 1 | A-7012 | SPLITTER YOKE ASSY | A - 6304 ,A - 6892 | 1 | | |
| 2 | 4303583 | GASKET | | 1 | | K-2803,K-3509,K-3510 |
| 3 | 4303582 | SPLITTER CYLINDER | | 1 | | |
| 4 | 21208 | -O- RING | | 1 | | K-2803,K-3510 |
| 5 | 4301964 | PISTON | | 1 | | |
| 6 | 13653 | -O- RING | | 1 | | K-2803,K-2908,K-3510 |
| 7 | X-1-805 | NUT | | 1 | | |
| 8 | 21209 | -O- RING | | 1 | | K-2803,K-3510 |
| 9 | 17073 | GASKET | | 1 | | K-2803,K-3366,K-3509,K-3510 |
| 10 | K-3366 | SPLT CYL COVER KIT | 691444 | 1 | | |
| 11 | X-12-208 | PIPE PLUG | | 3 | 1/8" NPT | |
| 12 | X-8L-540 | CAPSCREW | | 4 | 5/16"-18X1-7/8" | |
| 13 | K-2908 | -O- RING KIT | | 1 | FOR SOLENOID VALVE | |
| 14 | X-8-264 | HEX FLANGE HEAD SCREW | X 8 259 | 4 | #10-24 X 1 1/4 | |
| 15 | K-3682 | RANGE/SPLITTER VALVE KIT | 5561801 ,5561804 ,K - 2907 | 1 | | |
| 999 | K-3366 | SPLT CYL COVER KIT | 691444 | 1 | | |

○ Items not included in 999

999



6 XY Shifter Repair Kit

20229-03-01

X-Y SHIFTER MODULE

| Item | Current Part | Description | Replaced Part | Qty. | Notes | Kits/Assys Where Needed |
|------|--------------|-----------------------|------------------|------|----------|-------------------------|
| 1 | 4305452 | GASKET | 4301958 | 1 | | |
| 2 | X-8C-615 | CAPSCREW | | 4 | | K-3436,K-4009 |
| 3 | 4304602 | BREATHER | 23605 | 1 | 1/4" NPT | |
| 4 | 5559348 | TY-RAP | | 2 | | K-3682,K-4118 |
| 5 | K-3438 | POSITION SENSOR KIT | 691551 ,691926 | 2 | | |
| 6 | K-4009 | XY SHIFTER REPAIR KIT | | 1 | | |
| 999 | K-3436 | XY SHIFTER KIT | 691381 ,A - 7034 | 1 | | |

