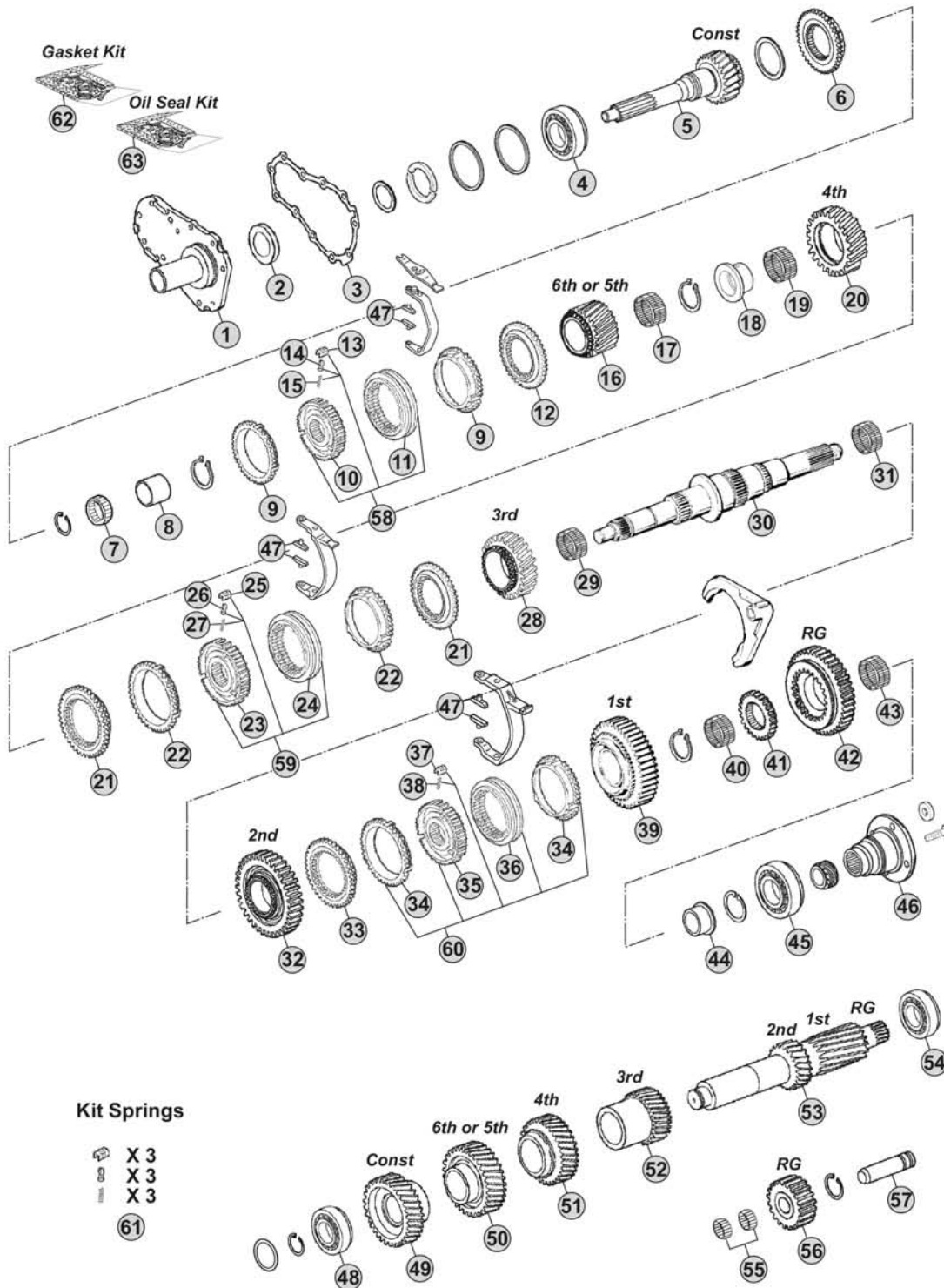


MODELS:

- ECOLITE

VERSIONS:

- S6-36/2 (1290 xxx xxx)



Notes

(A) R. 6,93-0,80

(B) R. 8,97-1,00

Our spare parts are not the originals but interchangeable with the originals ones. All original equipment manufacturers' numbers, pictures and models used in this catalogue are for reference only. Our products bear our trade-mark.

Fig.	CEI no.	ZF no.	Description	Q.ty	Notes	56-36/2				
1	128.292	1290 302 356	Front cover	1		●				
1	128.293	1290 312 259	Front cover	1		●				
1	128.294	1290 312 261	Front cover	1		●				
1	128.295	1290 302 339	Front cover	1		●				
2	139.961	0750 111 476	Oil Seal 42x62x10	1		●				
3	139.962	0501 315 106	Gasket	1		●				
4	130.406	0750 118 436	Bearing 60x110x26	1		●				
5	102.687	1290 302 369	Input shaft	1	(A)	●				
5	102.688	1290 302 367	Input shaft	1	(A)	●				
5	102.689	1290 302 346	Input shaft	1	(B)	●				
5	102.690	1290 302 340	Input shaft	1	(B)	●				
6	109.752	1290 302 023	Synchronizer cone	1		●				
7	137.303	0735 358 128	Needle Cage 31x46x27,2	1		●				
8	117.409	0735 295 119	Bush 25x31x26	1		●				
9	119.071	1262 304 050	Synchronizer ring	2	Old Type	●				
9	119.137	6002 304 729	Synchronizer ring	2	New Type	●				
10	257.010	1290 304 379	Synchronizer Hub	1		●				
11	154.236	1290 304 143	Sliding Sleeve	1		●				
12	109.856	1290 304 240	Synchronizer Cone	1	(A)	●				
12	109.752	1290 302 023	Synchronizer cone	1	(B)	●				
13	188.096	1238 304 394	Pressure Piece	3		●				
14	160.143	1249 304 222	Plunger	3		●				
15	156.140	0732 040 409	Spring De.6,5x23,50	3		●				
16	244.255	1290 304 410	Gear 6th Speed 22 T	1	(A)	●				
16	244.257	1290 304 111	Gear 5th Speed 22 T	1	(B)	●				
17	137.304	0735 321 527	Needle cage D.44x50x45	1	(A)	●				
17	137.796	0750 115 006	Needle cage 44x51x45	1	(B)	●				
18	117.491	1290 304 455	Bush	1		●				
19	137.797	0735 320 498	Needle cage 62x70x33	1		●				
20	244.258	1290 304 449	Gear 4th Speed 28 T	1	(A)	●				
20	244.259	1290 304 448	Gear 4th Speed 24 T	1	(B)	●				
21	109.100	1290 304 264	Synchronizer Cone	2		●				
22	119.072	1238 304 420	Synchronizer Ring	2	Old Type	●				
22	119.138	1290 304 473	Synchronizer Ring	2	New Type	●				
23	155.157	1238 304 520	Synchronizer hub	1		●				
24	154.118	1238 304 390	Sliding sleeve	1		●				
25	188.096	1238 304 394	Pressure Piece	3		●				
26	160.143	1249 304 222	Plunger	3		●				
27	156.140	0732 040 409	Spring De.6,5x23,50	3		●				
28	244.266	1290 304 462	Gear 3rd Speed	1	(A)	●				
28	244.261	1290 304 463	Gear 3rd Speed 27 T	1	(B)	●				
29	137.107	0735 320 499	Needle Cage D.62x70x40	1		●				
30	103.298	1290 304 454	Main shaft	1		●				

ECOLITE
S6-36/2

Date

Notes

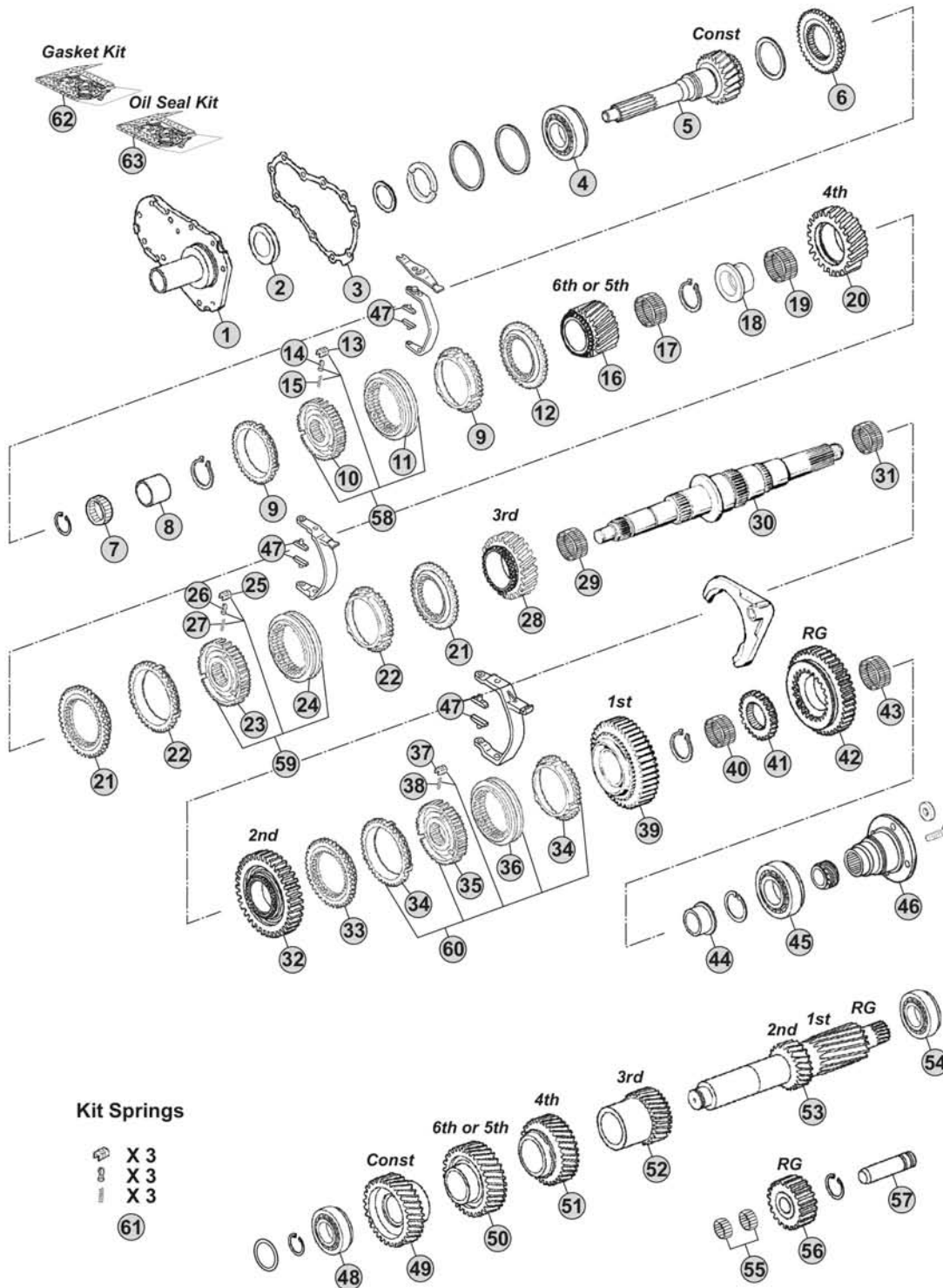
04/2015

MODELS:

- ECOLITE

VERSIONS:

- S6-36/2 (1290 xxx xxx)



Notes

(A) R. 6,93-0,80

(B) R. 8,97-1,00

Our spare parts are not the originals but interchangeable with the originals ones. All original equipment manufacturers' numbers, pictures and models used in this catalogue are for reference only. Our products bear our trade-mark.

Our spare parts are not the originals but interchangeable with the originals ones. All original equipment manufacturers' numbers, pictures and models used in this catalogue are for reference only. Our products bear our trade-mark.

Fig.	CEI no.	ZF no.	Description	Q.ty	Notes	56-36/2				
31	137.257	0735 320 500	Needle Cage 75x83x35	1		●				
32	244.267	1290 304 461	Gear 2nd Speed	1	(A)	●				
32	244.262	1290 304 192	Gear 2nd Speed 33 T	1	(B)	●				
33	109.859	1290 304 088	Synchronizer Cone	1		●				
34	119.348	1290 304 474	Synchronizer Ring	2		●				
35	157.187	1304 304 653	Synchronizer Hub	1		●				
36	154.484	1290 304 383	Sliding Sleeve	1		●				
37	160.189	1297 304 436	Pressure Piece	3		●				
38	156.140	0732 040 409	Spring De.6,5x23,50	3		●				
39	244.263	1290 304 075	Gear 1st Speed 39 T	1		●				
40	137.305	0735 321 531	Needle cage 68x76x35	1		●				
41	155.318	1290 304 076	Fixed Hub	1		●				
42	147.251	1290 304 058	Reverse Gear 35 T	1		●				
43	137.305	0735 321 531	Needle cage 68x76x35	1		●				
44	117.410	1290 304 056	Bush	1		●				
45	130.999	0750 118 001	Bearing 45x100x25	1		●				
46		1290 304 369	Output flange	1		●				
46		1290 304 596	Output flange	1		●				
46		1290 304 594	Output flange	1		●				
47	141.194	1290 306 066	Bronze Slide	2	3x2 pcs.	●				
48	130.789	0735 371 607	Bearing 40x80x21	1		●				
49	146.811	1290 303 195	Constant Gear	1	(A)	●				
49	146.812	1290 303 188	Constant Gear	1	(B)	●				
50	146.804	1290 303 156	Gear 6th Speed 54 T	1	(A)	●				
50	146.806	1290 303 102	Gear 5th Speed 42 T	1	(B)	●				
51	146.813	1290 303 182	Gear 4th Speed	1	(A)	●				
51	146.814	1290 303 180	Gear 4th Speed	1	(B)	●				
52	146.815	1290 303 193	Gear 3rd Speed	1	(A)	●				
52	146.816	1290 303 184	Gear 3rd Speed	1	(B)	●				
53	105.222	1290 203 039	Countershaft 11/17 T	1	(A)	●				
53	105.290	1290 203 034	Countershaft	1	(B)	●				
54	130.790	0735 370 438	Bearing 39,6x76,2x23,8	1		●				
55	137.369	0635 300 110	Needle Cage 28x35x18	2		●				
56	147.252	1290 305 034	Reverse gear 20 T	1		●				
57	103.213	1290 305 028	Reverse shaft	1		●				
58		1290 204 054	Hub and sliding sleeve kit	1		●				
59		1290 204 069	Hub and sliding sleeve kit	1		●				
60		1290 204 081	Synchro Kit	1		●				
61	198.784		Pins/Springs Kit	1		●				
62	198.443	1290 999 636	Gasket Kit	1		●				
63	298.354	1290 298 920	Oil seal kit	1		●				

ECOLITE
S6-36/2

Date

04/2015

Notes